

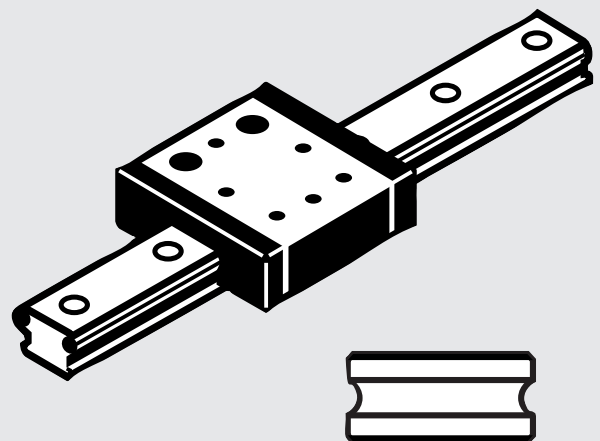
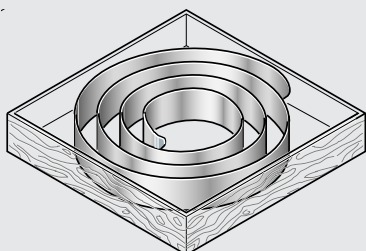
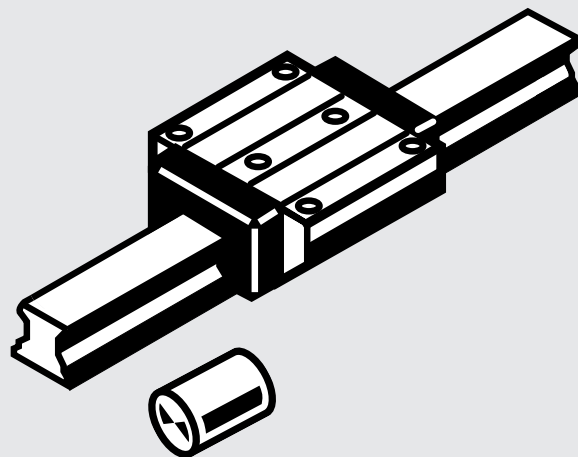
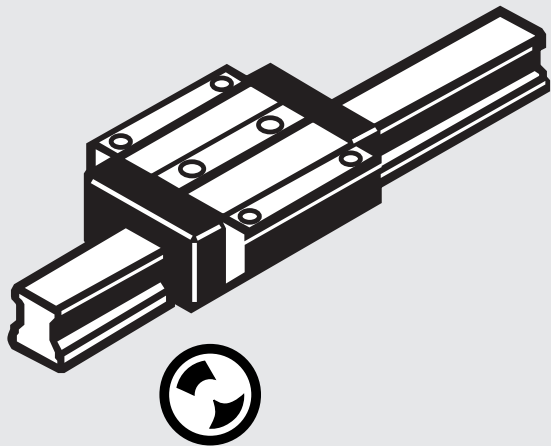
Profiled Rail Systems

- Ball Rail Systems
- Roller Rail Systems
- Miniature Ball Rail Systems
- Cam Roller Guides
- Cover Strip

R320103885/2016-09
EN



Instructions



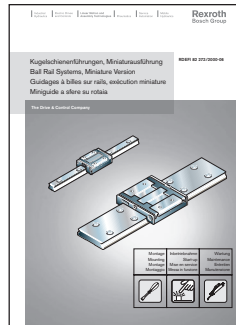
These instructions replace the following instructions:



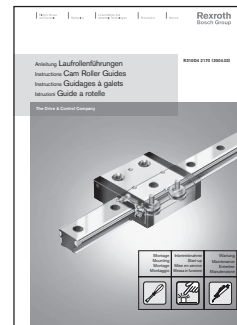
Instructions
Ball Rail Systems
R320103095



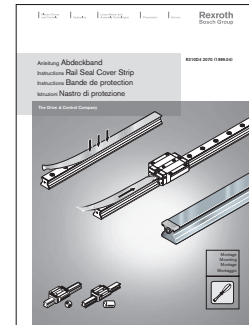
Roller Rail Systems
R320103096



Instructions for
Ball Rail Systems,
Miniature Version
R320103183



Instructions for
Cam Roller Guides
R320103093



Instructions for
Rail Seal Cover Strip
R320103110

Abbreviations

Abbreviation	Meaning	Abbreviation	Meaning
BSHP	BSHP ball rail system	RS	Roller guide rail
BSCL	BSCL ball rail system	M _A	Tightening torque
RSHP	RSHP roller rail system	FW	Runner block
MKS	Miniature ball rail system	FS	Guide rail
LRF	Cam roller guide	KSF	Ball rail system
KW	Ball runner block	RSF	Roller rail system
RW	Roller runner block		
KS	Ball guide rail		

Die vorliegende Anleitung ist in folgenden Sprachen verfügbar.
These operating instructions are available in the following languages.
Les présentes instructions de service sont disponibles dans les langues suivantes.
Le presenti istruzioni per l'uso sono disponibili nelle lingue seguenti.
El presente manual de instrucciones está disponible en los siguientes idiomas.
As presentes instruções de serviço estão disponíveis nas seguintes línguas.

DE	German (Original document)
EN	English
FR	Français
IT	Italiano
ES	Español
PT	Português
ZH	Chinese

This data has been provided solely for the purpose of product description. No statement regarding any particular quality or suitability for any particular use can be derived from this information.

The information does not release the user from making his/her own inspections and evaluations. It should be noted that our products are subject to a natural process of aging and wear and tear.

© Bosch Rexroth AG reserves all rights, including the right to apply for patent protection. We reserve all rights of disposition, including all reproduction and dissemination rights.

The title page contains an illustration of a sample configuration. The product as delivered can differ from the illustration.

The original instructions are in the German language.

Contents

1	About these Instructions	4
1.1	Scope and purpose of the documentation.....	4
1.2	Required documentation.....	4
1.3	Standards.....	4
1.4	Presentation of information	4
1.5	Safety notices in these Instructions.....	4
1.6	Symbols.....	5
2	Overview.....	6
2.1	BSHP, RSHP, BSCL, and MKS – overview	6
2.2	LRF – overview	7
2.3	Ordering	7
3	Delivery	8
3.1	Delivery of guide rails	8
3.2	Delivery of runner blocks	9
4	Mounting the guide rails.....	10
4.1	Preparation	10
4.2	General mounting instructions	12
4.3	Preparing the adjoining structure	12
4.4	Mounting BSHP, RSHP, BSCL and MKS guide rails	13
4.5	Mounting the wedge profile retaining strips.....	15
4.6	Mounting and aligning parallel guide rails	15
4.7	Checking the vertical offset	16
4.8	Permissible nonlinearity.....	17
4.9	Permissible errors in alignment	17
4.10	Mounting plastic mounting hole plugs.....	17
4.11	Mounting the steel mounting hole plugs.....	18
4.12	Cover strip for BSHP, RSHP	20
4.13	Mounting Rail Seal	22
5	Mounting BSHP, RSHP, BSCL runner blocks	34
5.1	Preparation	35
5.2	Sliding the runner block onto the guide rail	36
5.3	Mounting attachments to runner blocks, general	37
5.4	Sliding the runner block assembly onto the guide rail	41
5.5	Securing the runner blocks	41
5.6	Removing the runner block from the guide rail	41
6	Mounting the MKS runner block	43
6.1	Mounting the accessories	46
7	BSHP, RSHP accessories	48
8	Mounting cam roller guides	49
8.1	Mounting the guide rails	49
8.2	Mounting the standard runner blocks and super runner blocks.....	50
8.3	Mounting the profiled runner block	51
8.4	Mounting U-type runner blocks.....	52
8.5	Mounting the single/double bearing runner blocks	53
8.6	Mounting the cam rollers with spigot	56
8.7	Start-up	57
8.8	Maintenance.....	58
8.9	Mounting the accessories	59
9	Lubrication.....	60
10	Technical data.....	60
11	Operating conditions.....	60
12	Tightening torques.....	60
13	Disposal.....	60
14	Service and support	60

1 About these Instructions

1.1 Scope and purpose of the documentation

This documentation applies to the following products:

- Ball rail systems, roller rail systems, miniature ball rail systems, cam roller guides, cover strip according to relevant catalog. See 2.3.








This documentation is intended for assembly/installation personnel, line operators and machinery/plant users.

This documentation contains important information for proper and safe installation, operation, maintenance and deinstallation of the product and for troubleshooting simple errors oneself.

- ▶ Before working with the product, be sure to read these Instructions carefully and completely.

1.2 Required documentation

Documentation which is indicated by the book symbol  must be obtained before handling the product and must be adhered to:

	Title	Document number	Document type
	Ball Rail Systems (BSHP/BSCL), Roller Rail Systems (RSHP), Miniature Ball Rail Systems, Cam Roller Guides	See 2.3	Catalog
	Material safety data sheet for Dynalub 510	R320103160	Material safety data sheet
	Product data sheet Dynalub 510	R310DE2052	Product data sheet
	Material safety data sheet for Dynalub 520	R320103161	Material safety data sheet
	Product data sheet Dynalub 520	R310DE2053	Product data sheet
	System documentation of the machinery/system manufacturer		
	Manuals for the other machine/system components		

The Rexroth documentation is available for download at www.boschrexroth.com/mediadirectory.

1.3 Standards

The following standards must be observed: DIN 637


1.4 Presentation of information

To enable users to work rapidly and safely with the product while following these instructions, this documentation uses standardized safety instructions, symbols, terms and definitions, and abbreviations. These are explained in the following sub-sections.

1.5 Safety notices in these Instructions

These Instructions contain safety (warning) notices preceding any actions that involve a risk of personal injury or damage to property. The safety precautions described must be adhered to.




Warning notices are structured as follows:

 SIGNAL WORD
<p>Type of hazard! Consequences if ignored.</p> <ul style="list-style-type: none"> ▶ Hazard avoidance precautions.

- Safety alert symbol: draws attention to the hazard
- Signal word: indicates the severity of the hazard
- Type of hazard: indicates the type or source of the hazard
- Consequences: describes the consequences that may occur if the hazard avoidance precautions are ignored
- Hazard avoidance precautions: indicates how to avoid the hazard.

The warning notices cover the following hazard levels. The hazard level describes the risks involved if the warning notice is ignored.








Hazard levels as per ANSI Z535:

Safety alert symbol, signal word	Meaning
 DANGER	Indicates an imminently hazardous situation which, if not avoided, will result in death or serious injury.
 WARNING	Indicates a potentially hazardous situation which, if not avoided, may result in death or serious injury.
 CAUTION	Indicates a potentially hazardous situation which, if not avoided, may result in minor or moderate injury.
NOTICE	Damage to property: Risk of damaging the product or the surrounding environment.

1.6 Symbols

The following symbols designate notes or cross-references that are not safety-relevant but increase the clarity of the documentation.







Meaning of the symbols

Symbol	Meaning
	If this information is not observed, the product will not be used optimally.
	Single, independent work step
	Note
1.	Numbered work steps
2.	The sequence of the work steps is indicated by the numbers.
3.	
 7	See section 7
 Fig. 7.1	See figure 7.1
	Screw with strength class...
	Tightening torque
μ	Friction factor for screws

EN

1.6.1 Pictograms

The following pictograms are used in this document:

Symbol	Meaning
	Take note of the additional information given in the catalog
	Risk of injury due to sharp edges
	Wear gloves
	Pay attention to cleanliness/clean product
	Visual inspection
	Parts may heat up considerably during operation. Let them cool down before touching or wear suitable protective clothing (e.g. heat-resistant protective gloves) to protect yourself from burns.

1.6.2 Notes

General notes, notes on proper usage and improper usage as well as general safety notices can be found in the relevant catalog.

2 Overview

2.1 BSHP, RSHP, BSCL, and MKS – overview

- 1 Various guide rail versions. E.g. ones that can be mounted from above, below, ones with a cover strip or mounting hole plugs, etc.
- 2 Guide rail accessories. E.g. mounting hole plugs, cover strips, terminal/wedge profile strips, etc.
- 3 Runner blocks with various designs (e.g. FNS, FLS, ...).
- 4 Accessories for runner blocks (e.g. scraper plates, FKM and NBR seals, etc.)

A detailed overview of products/accessories as well as their description and technical data can be found in the relevant catalog.

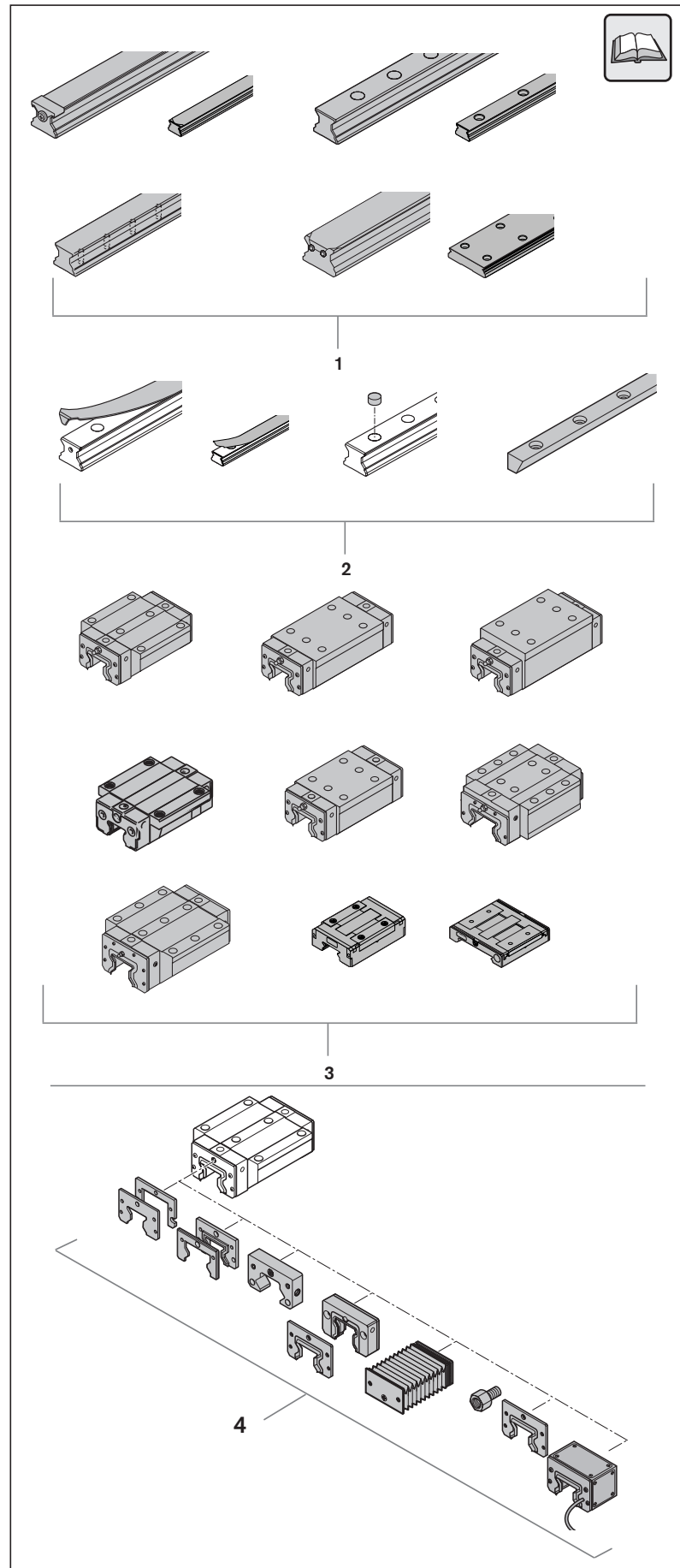


Fig. 1: Overview (examples) of BSHP, RSHP, BSCL, MKS

2.2 LRF – overview

- 1 Standard guide rails
- 2 Guide rails with T-slot
- 3 Low-profile guide rails
- 4 U-type guide rails
- 5 Standard half-rail guide rails
- 6 Low-profile half-rail guide rails
- 7 Wide guide rails
- 8 Mounting hole plugs
- 9 Standard runner blocks
- 10 Super runner blocks
- 11 Profile runner blocks
- 12 U-form runner blocks
- 13 Single bearing runner blocks
- 14 Double bearing runner blocks
- 15 Dead stops
- 16 Cam rollers with central spigot
- 17 Cam rollers with eccentric spigot

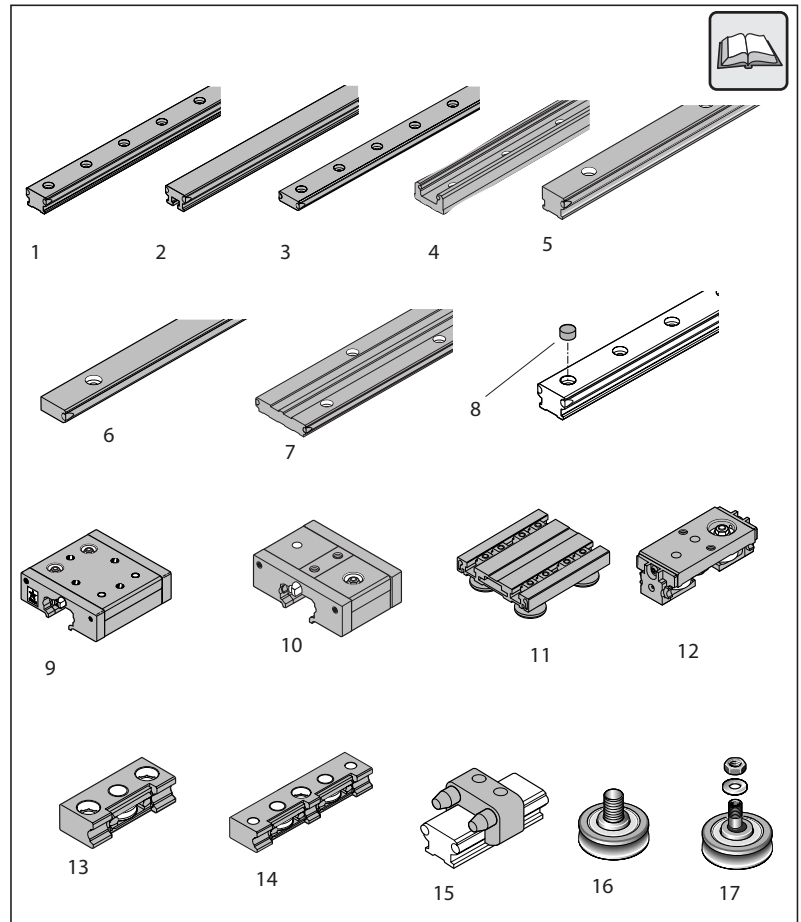


Fig. 2: Cam roller guides – overview

2.3 Ordering

For details on how to order components and accessories, see the relevant catalog.

- For BSHP ball rail systems: see the “Ball Rail Systems” and “NRFG Ball Rail Systems” catalogs
- For BSCL ball rail systems: see the “BSCL Ball Rail System” catalog
- For RSHP roller rail systems: see “Roller Rail System” catalog
- For ball rail systems, miniature version: see “Ball Rail Systems, Miniature Version” catalog
- For cam roller guides: see “Cam Roller Guides, Miniature Version” catalog
- Catalogs: Please contact your local sales partner.

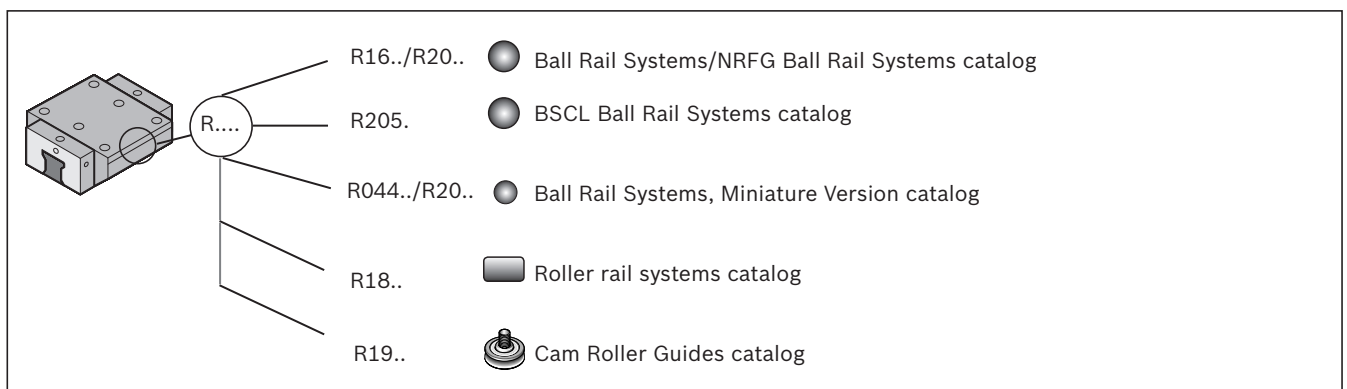


Fig. 3: Ordering/catalogs

3 Delivery

3.1 Delivery of guide rails

⚠ WARNING

Guide rails are heavy
Risk of injury.

- ▶ Use lifting/hoisting equipment (5/6/7) as appropriate for the weight or length of the guide rail!

⚠ CAUTION

Risk of injury when handling the cover strip
Risk of minor injuries.

- ▶ Wear gloves
- ▶ Avoid uncontrolled whipping of the cover strip (3) by holding down the cover strip ends.

NOTICE

Deflection of the guide rails
Damage to the product

- ▶ Use suitable lifting/hoisting equipment (7) for guide rails > 3000 mm in length to avoid deflection.

- One-piece guide rails with cover strip: The cover strip is already clipped on; protective caps are provided in the package (1).
- Composite guide rails: Matching sections of a composite guide rail are identified by a label on the packaging. For guide rails (2) with cover strip, the cover strip is supplied in one piece, matching the overall length, together with protective caps, screws and washers, in its own packaging (4) which is labeled with the same production job number as the ball rail systems.

i **Transporting / Unpacking**
Do not recycle packaging until mounting has been completed! The packaging can protect not yet mounted guide rails or cover strips while mounting work is in progress.

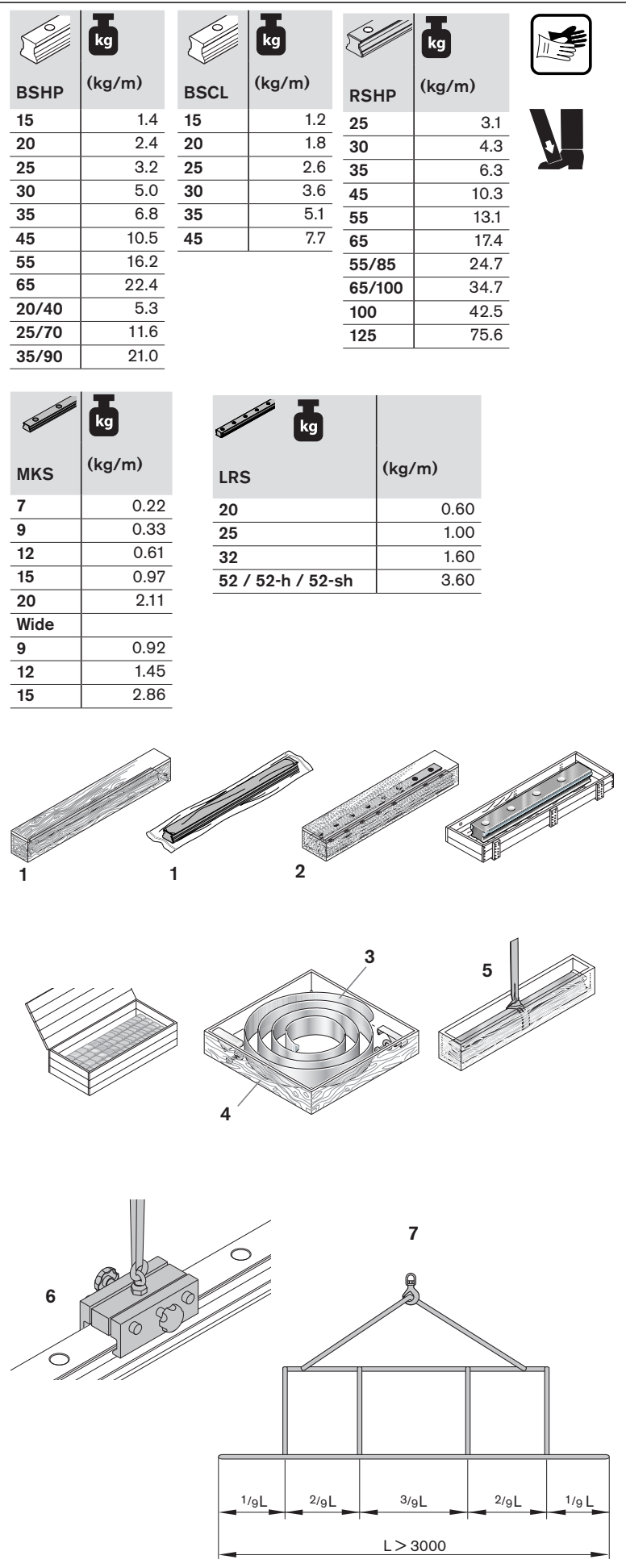


Fig. 4: Weight and delivery of guide rails

3.2 Delivery of runner blocks



⚠ WARNING

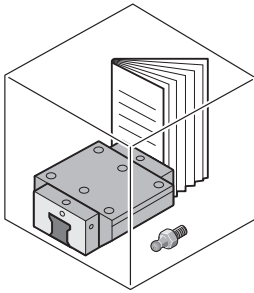
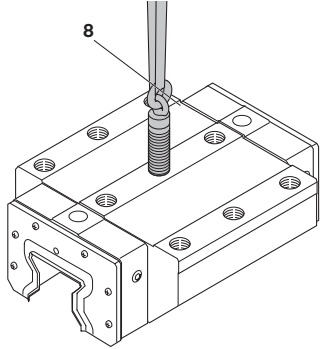
Runner blocks are heavy

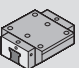

Risk of injury.

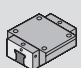

- ▶ Use lifting/hoisting equipment as appropriate for the weight of the runner blocks!
(Do not damage the runner block surface)

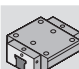

i When using lifting equipment to transport the runner block, lifting bolts (8) that can be screwed into the threads on the runner block are useful in addition to a suitable lifting sling.

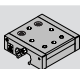




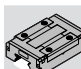




 BSHP	 (kg)
15	max. 0.30
20	max. 0.55
25	max. 0.90
30	max. 1.50
35	max. 2.25
45	max. 4.30
55	max. 7.50
65	max. 14.15
20/40	max. 0.40
25/70	max. 1.20
35/90	max. 3.70

 BSCL	 (kg)
15	max. 0.25
20	max. 0.53
25	max. 0.80
30	max. 1.31
35	max. 2.11
45	max. 4.11

 RSHP	 (kg)
25	max. 0.93
30	max. 1.67
35	max. 2.70
45	max. 5.15
55	max. 7.15
65	max. 20.30
55/85	max. 11.50
65/100	max. 20.70
100	max. 42.00
125	max. 89.80

 LRF	 (kg)
20	max. 0.20
25	max. 0.25
32	max. 0.56
42	max. 1.03
52	max. 1.50
52-h	max. 2.60
52-sh	max. 3.30

 MKS	 (g)
7	max. 14
9	max. 41
12	max. 76
15	max. 170
20	max. 177

EN

Fig. 5: Weight and delivery of runner blocks

4 Mounting the guide rails

4.1 Preparation

- ▶ Take note of the weight and length of the guide rail → 3.1
- ▶ Carefully remove guide rails from the packaging. Use slings or suitable lifting claws (5/6/7). Do not damage the guide rail surfaces.

CAUTION
Risk of injury when using unsuitable tools (4)
 Minor injuries to hands.
 ▶ Wear gloves

NOTICE
Unsuitable tools (4)!
 Damage to the guide rail
 ▶ Use a suitable tool to cut through the wrapping paper.

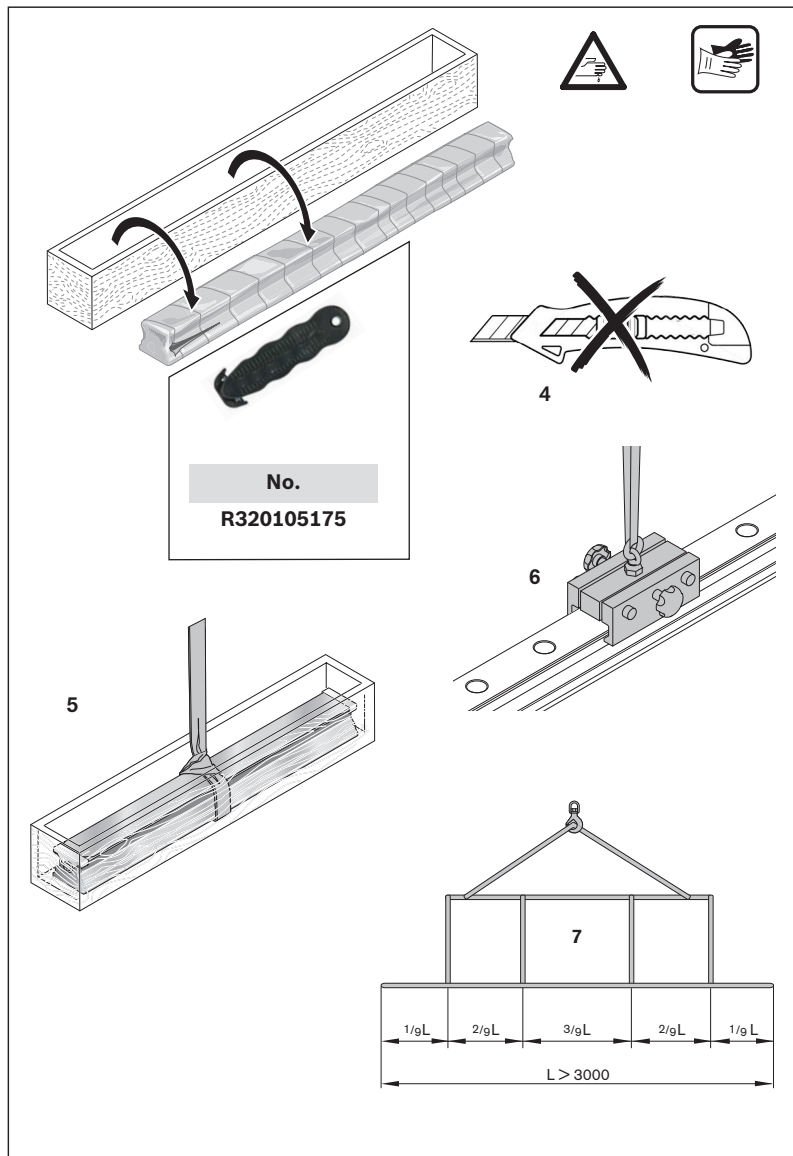


Fig. 6: Preparations for mounting the guide rails

4.1.1 Preparations for mounting guide rails delivered as sets

- ▶ Lay out the guide rails belonging to one set.

Identification scenario 1::

i Each guide rail in a set is marked with a consecutive number (on the packaging (1) and on the rail (2)).

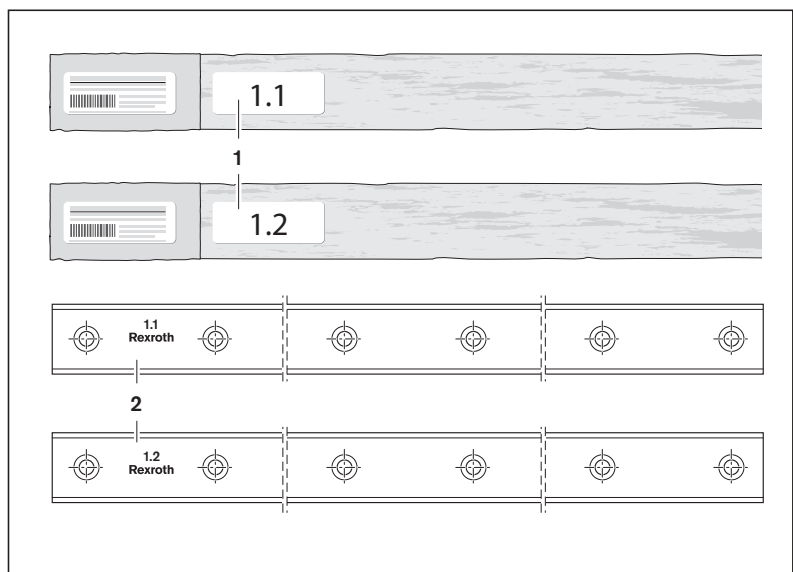


Fig. 7: Laying out the guide rails delivered as a set

4.1.2 Preparing composite guide rails for mounting

CAUTION

Sharp-edged joints (1)

Minor injuries to hands.

- ▶ Wear gloves

i The joints (1) are numbered consecutively (2). For guide rails with two sections, the stamp (3) is located on both sections (5). All sections of a guide rail comprising three or more sections have the same number (4). The stamp (3) is located on both end pieces (6). Matching sections of a composite guide rail are identified by a label on the packaging.

- ▶ Lay out the guide rails belonging to one set.
- ▶ Sort sections
- ▶ RSHP: Use aligner bars (9) to align the guide rails when the mounting base (7) has no reference edge (8).

i To order aligner bars, see roller rail systems catalog.

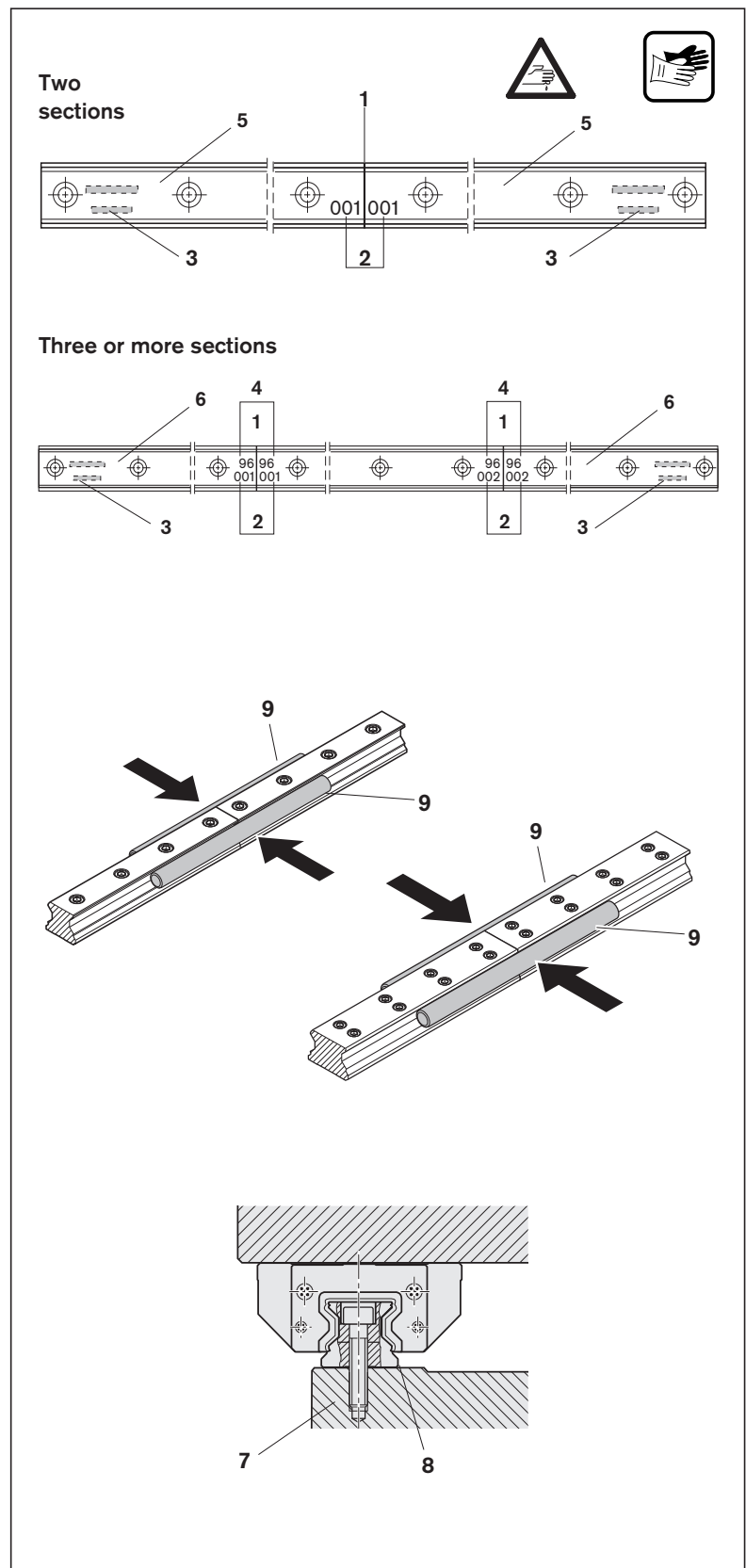


Fig. 8: Laying out the composite guide rails

4.2 General mounting instructions

Guide rails with ground reference surfaces can be mounted to a reference edge (1) for lateral retention.

Guide rails without lateral retention have to be aligned straight and parallel when mounting, preferably using a straightedge.

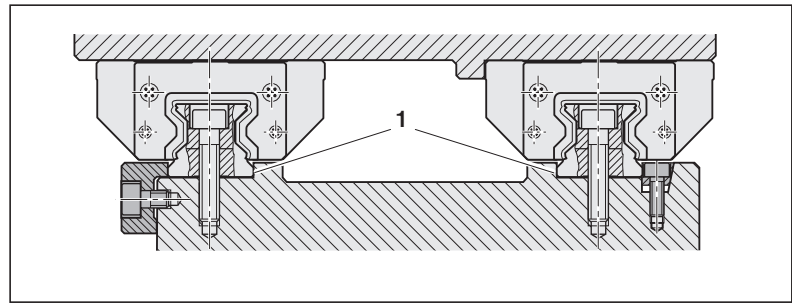


Fig. 9: General guide rail mounting instructions

4.3 Preparing the adjoining structure

1. Drill holes / tap threads into the supporting structure for fastening of the guide rail. For dimension data, see catalog.
2. Check the corner radii r_1 , heights of reference edges h_1 , and supporting and reference surfaces.
3. Carefully hone the mating surfaces for the guide rail and clean them thoroughly. Hone using a honing stone (grain size 200/300) or an oil stone.

i Contamination, out-of-flatness (material displaced by damage to the surface) or burrs are not permitted.

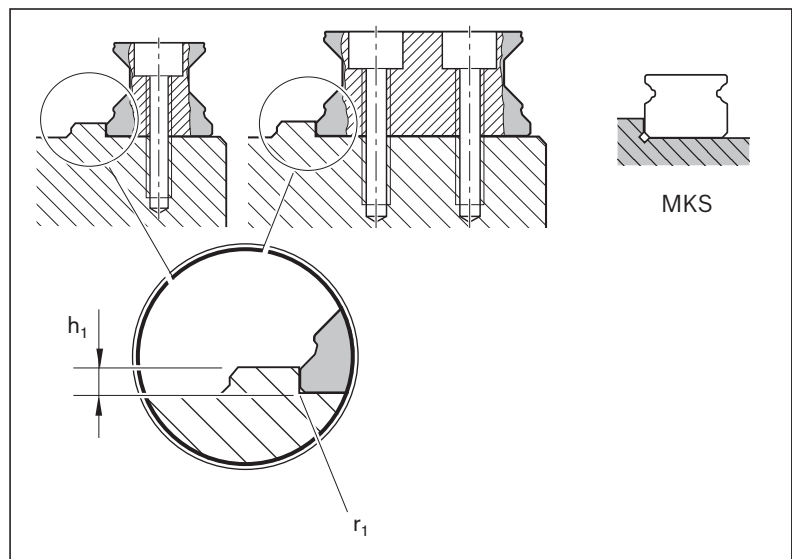


Fig. 10: Preparing the adjoining structure

4.4 Mounting BSHP, RSHP, BSCL and MKS guide rails

⚠ WARNING

Excessively high loads and moments may cause the limits for screw connections to be exceeded.

Risk of injury or death due to falling rail system.

- ▶ Screw connections must be recalculated and verified during design calculations. See catalog.

⚠ CAUTION

Risk of injury due to sharp edges on end faces of guide rails

Minor injuries to hands.

- ▶ Wear gloves

1. For guide rails with pre-mounted cover strip (Rail Seal), remove the cover strip. See Chapter 9. Chamfer the end faces of the guide rails if necessary and round off transitions (remove all burrs).
2. For composite guide rails, hone the end faces of the joints. Then clean the joint faces and apply a thin coat of oil to them.
3. Check supporting and reference surfaces of the guide rails.

Hone using a honing stone (grain size 200/300) or an oil stone.

NOTICE

Damage to the runner block! (seals)

Damage to the product

- ▶ For deliveries of BSHP/RSHP guide rails in factory lengths/packaging units, the rail ends must be chamfered according to Fig. 11. For more information on this see the "Easy Customizing R3201031592 catalog".

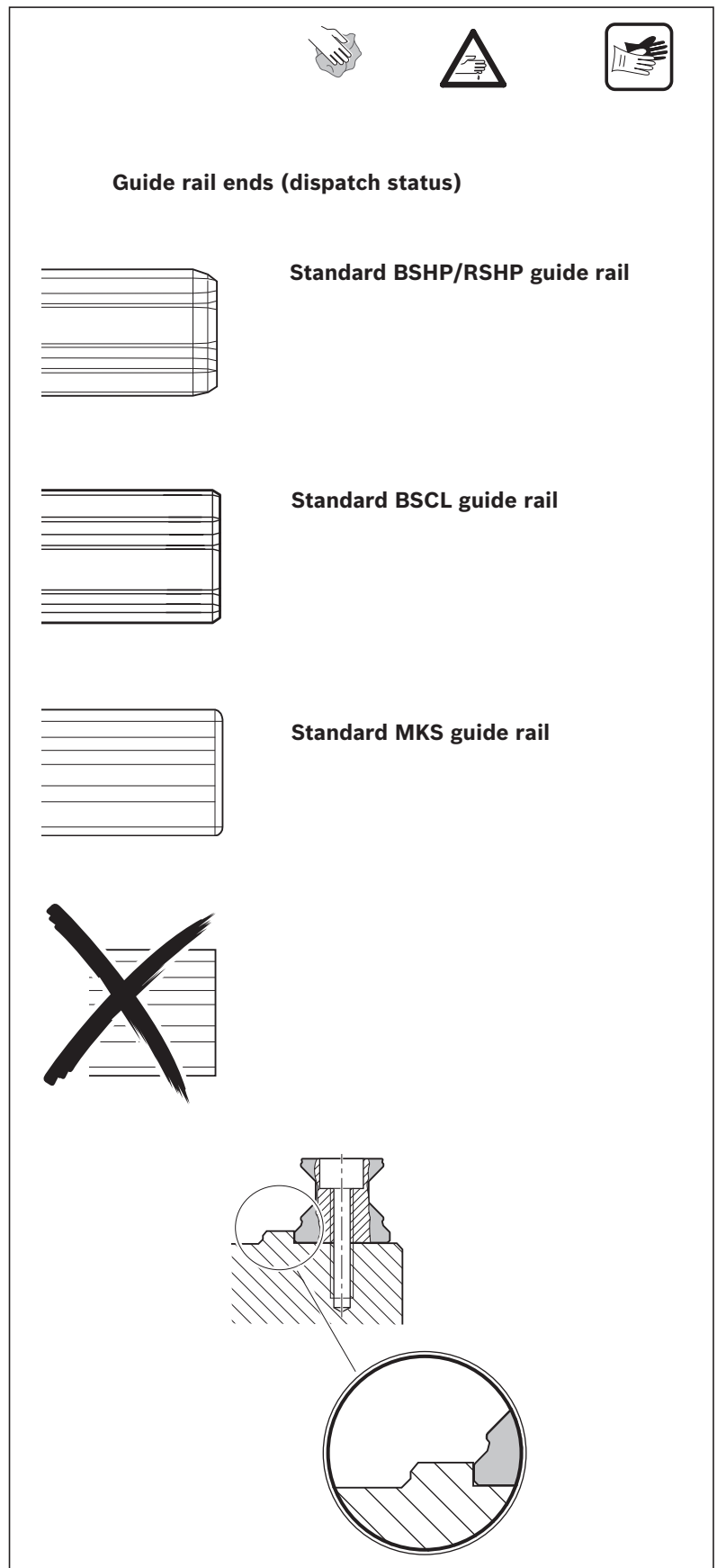


Fig. 11: Preparing the guide rails

- ▶ Select and lay out screws ready to mount the guide rails.



Do not use washers!

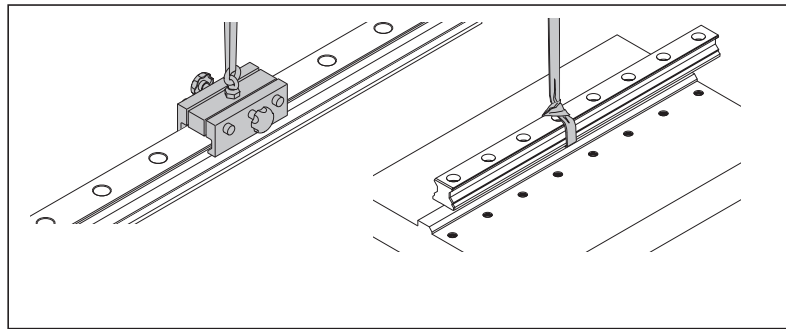


Fig. 12: Attaching the guide rails

Composite guide rails:

1. Preparing guide rails for mounting
 ➔ 4.1.2

Mounting the guide rail:

2. Carefully set the guide rails down on the supporting structure (5) (consider the weight and length of the guide rails)
 ➔ 3.1
3. Press the guide rails against the reference edge (1) and tighten the screws (O_3 / O_6) lightly, working from the middle to the outside. For lateral retention, either the right or the left reference surface of the guide rails can be used.
4. If necessary, fix the guide rails in place with clamping strips (2) or wedge profile retaining strips (3).
5. Guide rails without any lateral retention are to be aligned straight and parallel, preferably using a straightedge.
6. Tighten the screws to the specified tightening torque M_A ! ➔ Fig. 14.
7. Secure the screws in the case of vibrations or impacts.

BSHP / RSHP / BSCL

Size BSHP/ RSHP/ BSCL	O_3 ISO 4762 (DIN 912)	O_6 ISO 4762 (DIN 912)
15	M4x20	M5x12
20	M5x25	M6x16
25	M6x30	M6x20
30	M8x30	M8x20
35	M8x35	M8x25
45	M12x45	M12x30
55	M14x50	M14x40
65	M16x60	M16x45
20/40	M4x20	M5x12
25/70	M6x30	M6x20
35/90	M8x35	M8x25
55/85	M12x30	-
65/100	M14x35	-
100	M24x100	-
125	M30x120	-

MKS

Size MKS	O_3 ISO 4762 (DIN 912)
7	M2x5
9/M3	M3x8
12	M3x8
15	M3x10
20	M5x14
Wide	
9	M3x8
12	M4x10
15	M4x12

Fig. 13: Mounting the guide rails

Tightening torques for profiled rail systems (as per DIN 637)

The tightening torques M_A for screw strength class 8.8 correspond to DIN 637. The tightening torques for screw strength classes 10.9 and 12.9 were calculated for the dimensions of a Rexroth rail system.

Input values for calculation:

- Friction coefficient in thread $\mu_G = 0.125$
- Friction coefficient on top surface $\mu_K = 0.125$
- Friction coefficient in joint $\mu_T = 0.125$
- Torque wrench tightening factor $\alpha_A = 1.5$

	M_A (Nm) for BSHP/RSHP/BSCL at strength class			M_A (Nm) for MKS at strength class		
	8.8	10.9	12.9	A2-70	12.9	
M4	3	4.4	5.2	M2	0.35	0.5
M5	6	8.9	10	M3	1.10	2.1
M6	10	15	17	M4	2.00	4.6
M8	25	36	43	M5	3.90	9.5
M10	49	71	83			
M12	83	120	140			
M14	130	200	230			
M16	200	300	350			
M20	410	590	690			
M24	710	1000	1170			
M27	1040	1490	1740			
M30	1400	1990	2330			

Fig. 14: Tightening torques for profiled rail systems

4.5 Mounting the wedge profile retaining strips

- ▶ Mount wedge profile retaining strip (1). Take note of the torque $M_A \rightarrow 14$

i The wedge effect multiplies the lateral clamping force. Tighten the mounting screws of the guide rails and the wedge profile retaining strips in stages, alternating between them.

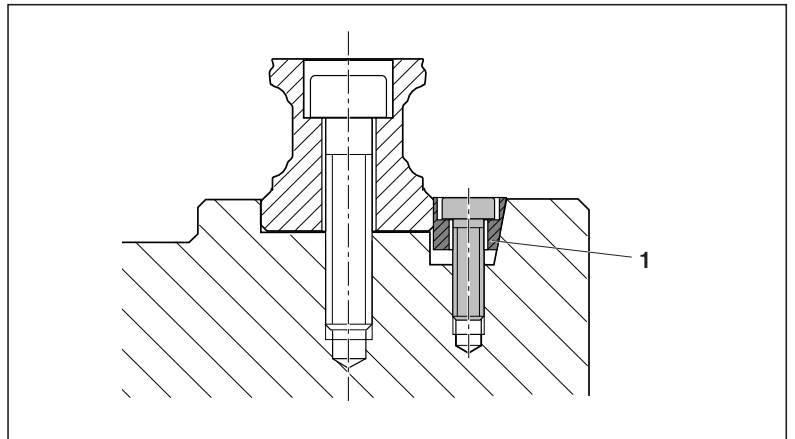


Fig. 15: Mounting the wedge profile retaining strips

4.6 Mounting and aligning parallel guide rails

i The parallelism of the mounted guide rails must be checked using mounting runner blocks or runner blocks before plugging the mounting holes.

Requirement: The first guide rail must already be aligned and mounted. See catalog for values.

i If roller runner blocks are to be used to check the parallelism, take note of the instructions in section 5. The parallelism offset P_1 causes a slight rise in the preload on one side of the assembly. As long as the values specified in the catalog table are met, the effect of this on the service life is generally negligible.

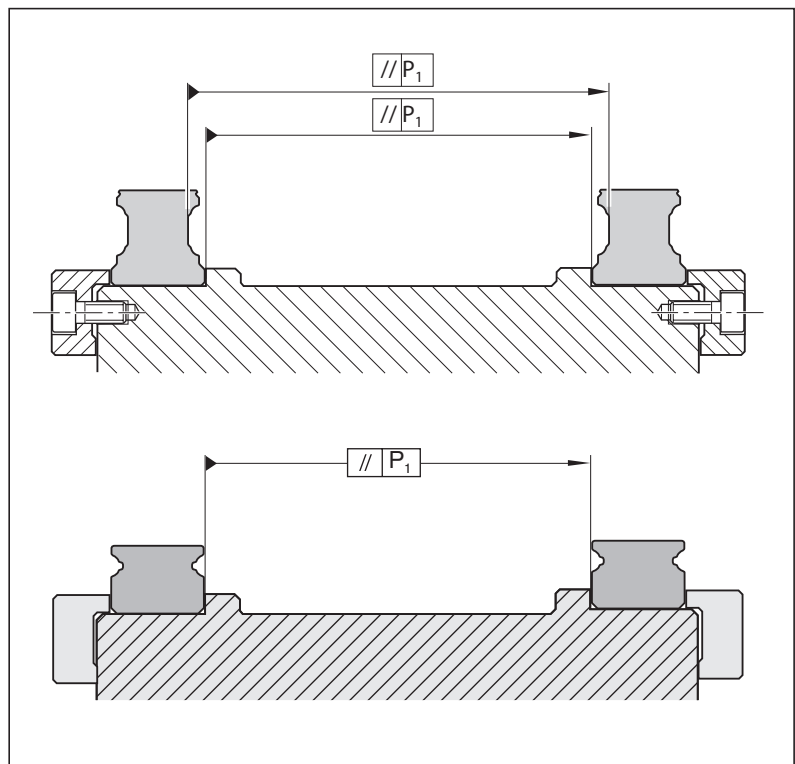
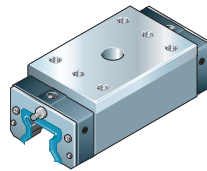


Fig. 16: Checking the parallelism of the guide rails

Mounting with mounting runner block

- The central hole D in the mounting runner block allows precise measurement of the relative rail position. The rail mounting screws can also be driven down through this hole.



Size	Mounting runner block Material number
25	R1829 220 27
30	In preparation
35	R1829 320 39
45	R1829 420 53
55	R1829 520 14
65	R1829 620 04

Fig. 17: Mounting runner block (only for roller rail systems)

Aligning the rails

1. Align and mount the first guide rail using a graduated straightedge.
2. Take note of the instructions for mounting the runner blocks ➔ 5.
3. Set up a mounting bridge with dial gauge between the runner blocks.
4. Move both runner blocks in parallel.
5. Align the ball guide rail manually until the dial gauge shows the correct dimension.
6. Tighten guide rail to tightening torque M_A . (use the mounting runner block for RSHP versions).

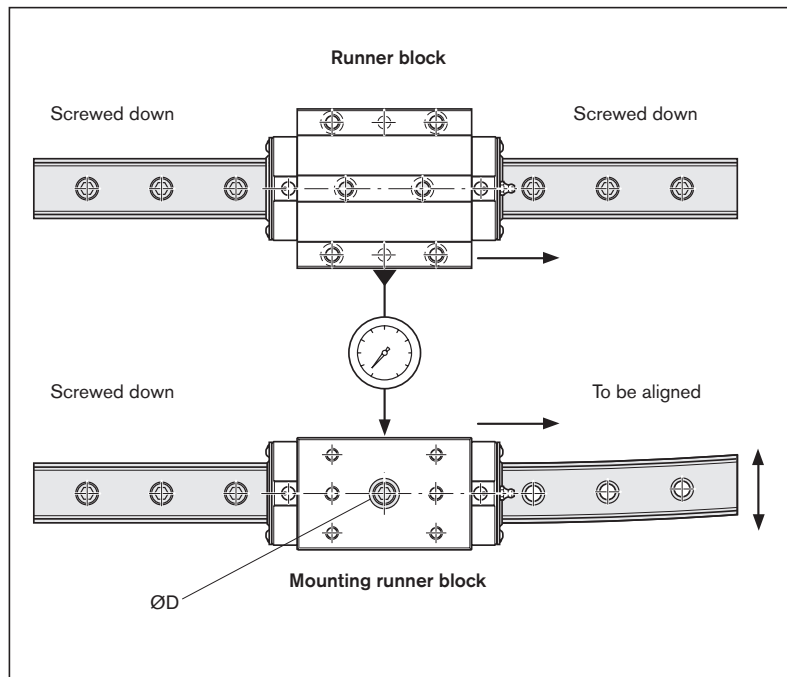


Fig. 18: Aligning and mounting the guide rail

4.7 Checking the vertical offset

The actual vertical offsets S_1 and S_2 must be checked using mounting runner blocks or ball runner blocks before plugging the mounting holes in the guide rail (3) ➔ 5.

- i** Provided the vertical offset is kept within the stated maximum tolerances for the transverse (S_1) and longitudinal (S_2) directions, its influence on the service life can generally be neglected. See catalog for values.

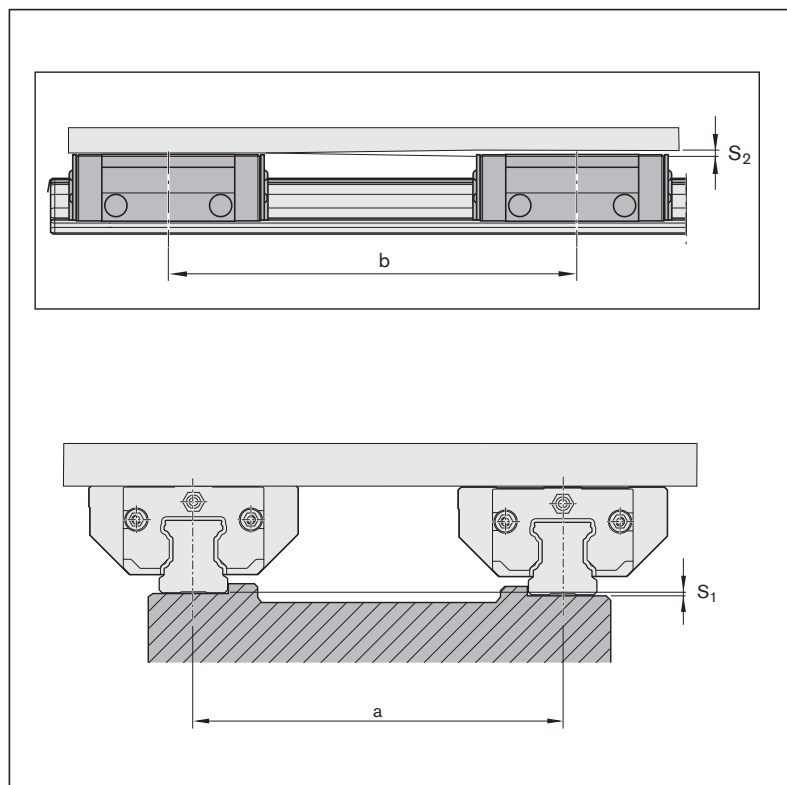





Fig. 19: Checking the vertical offset of the guide rails

4.8 Permissible nonlinearity

For super ball runner blocks , the permissible nonlinearity in longitudinal direction is 10' measured between two successive runner blocks.

 Provided the permissible nonlinearity is not exceeded, the influence on the service life will generally be negligible.

4.9 Permissible errors in alignment

For super ball runner blocks , an error in alignment of 10' on the ball guide rail and on the ball runner block is permissible in both planes.

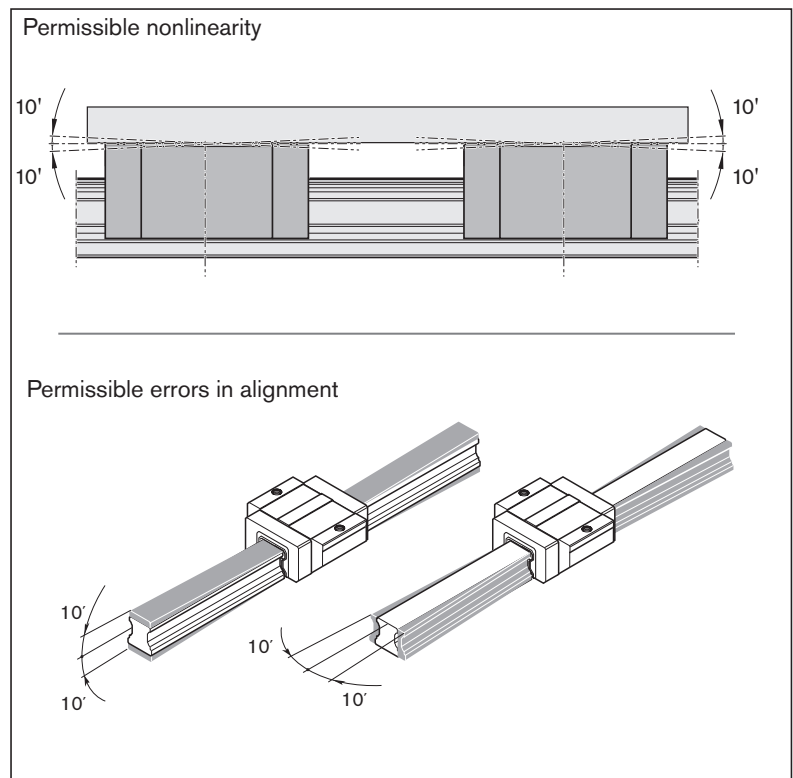




Fig. 20: Permissible out-of-flatness / permissible alignment errors when using super ball runner blocks 

EN

4.10 Mounting plastic mounting hole plugs

Tap the plastic mounting hole plugs (1) into place with the aid of a plastic pad (2) until flush with the surface of the rail.

Alternative:

Steel mounting hole plugs  4.11

Cover strip  4.12

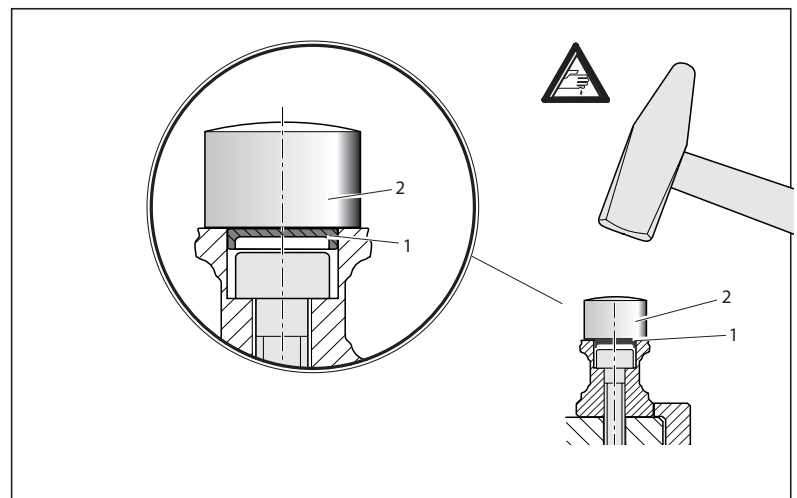


Fig. 21: Mounting plastic mounting hole plugs

4.11 Mounting the steel mounting hole plugs

i Steel mounting hole plugs must be inserted using a mounting tool! (Do not use a hammer).

For mounting tools see table. (for sizes 15, 20, and 20-40, no steel mounting hole plugs are provided).

1) Can only be delivered as one part.

4.11.1 Fitting the mounting tool

If the mounting tool cannot be slid onto one end of the guide rail:

1. Loosen the screws (1) only as far as necessary to allow the mounting tool to be fitted over the guide rail.
2. Pull the mounting tool apart.
3. Fit the mounting tool around the guide rail.
4. Retighten the screws (1).

4.11.2 Mounting the mounting hole plugs

1. Insert the mounting hole plugs (2) so that they lie flat.
2. Position the mounting tool centrally over the mounting hole plug.
3. Screw in the compression screw (3) until the pressure plate (4) of the mounting tool lies flat against the guide rail.
4. Loosen the compression screw and slide the mounting tool until it is positioned centrally over the next mounting hole plug.

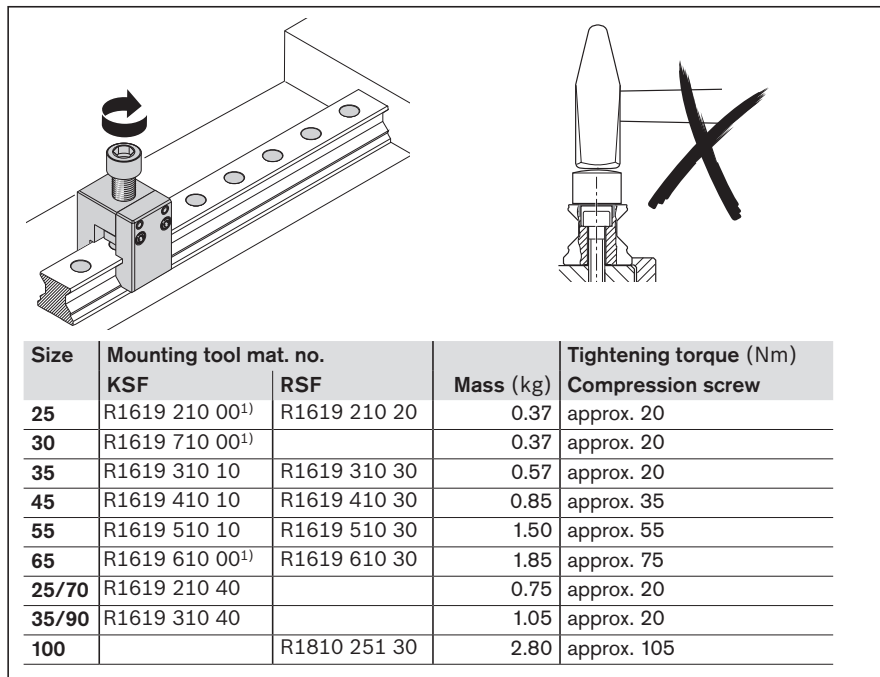


Fig. 22: Mounting tool for mounting hole plugs

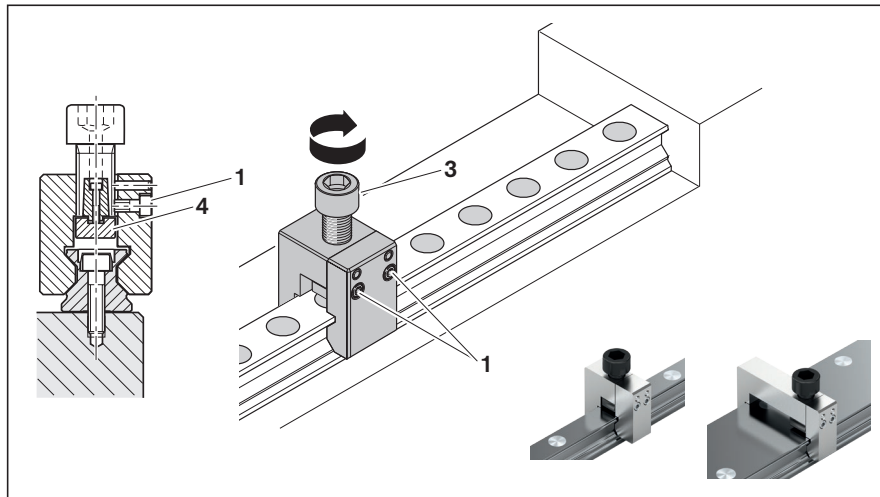


Fig. 23: Mounting tool for steel mounting hole plugs

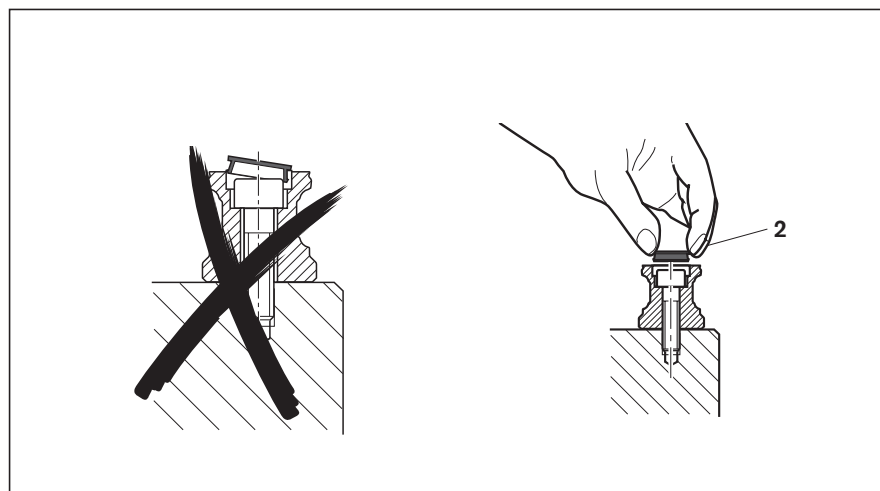


Fig. 24: Mounting the steel mounting hole plugs

4.11.3 Completing mounting of steel mounting hole plugs

CAUTION

Risk of injury due to sharp edges.

Risk of minor injuries.

► Wear gloves

1. Remove mounting tool.
2. If there is any slight positive or negative height offset between the mounting hole plugs and the guide rail, smooth the edges using suitable means, e.g. a sanding pad.
3. Using a ruler, check for any height differences between the mounting hole plugs and the guide rail. At points (1) and (2), each mounting hole plug must be flush with the guide rail.
4. Clean the guide rails.

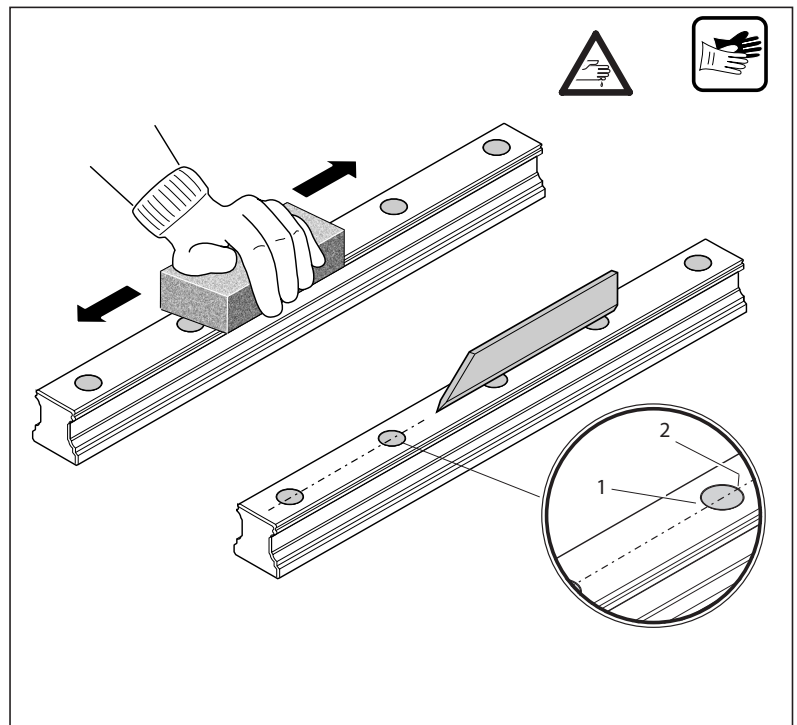


Fig. 25: Completing mounting of steel mounting hole plugs

4.12 Cover strip for BSHP, RSHP

4.12.1 General Information

Advantages of the Rail Seal cover strip

The Rail Seal is easy to clip on and remove. This considerably facilitates and speeds up the mounting process:

- No need to plug every single hole
- No time delay while waiting for adhesive to harden when using adhesive tape.
- The Rail Seal can be mounted and removed several times
- Corrosion-resistant spring steel

The Rail Seal is a precision-machined part that must be handled with great care. It must on no account be bent.

Versions/Functions

A: Snap-fit Rail Seal (standard)

- The Rail Seal is clipped on before the runner block is mounted and fits tightly.

B: Sliding-fit Rail Seal

- For mounting or replacing a Rail Seal when the runner block or super-structure cannot be removed.
- A section of the snap-fit Rail Seal is very slightly widened and can then be easily slid under the runner block.

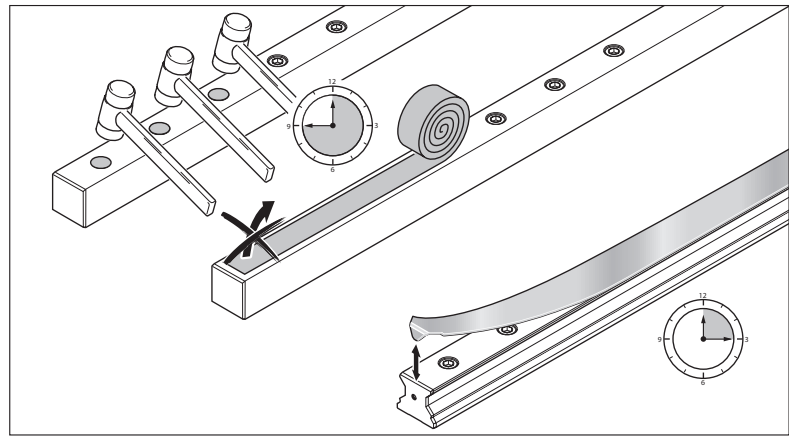


Fig. 26: Advantages of the Rail Seal cover strip

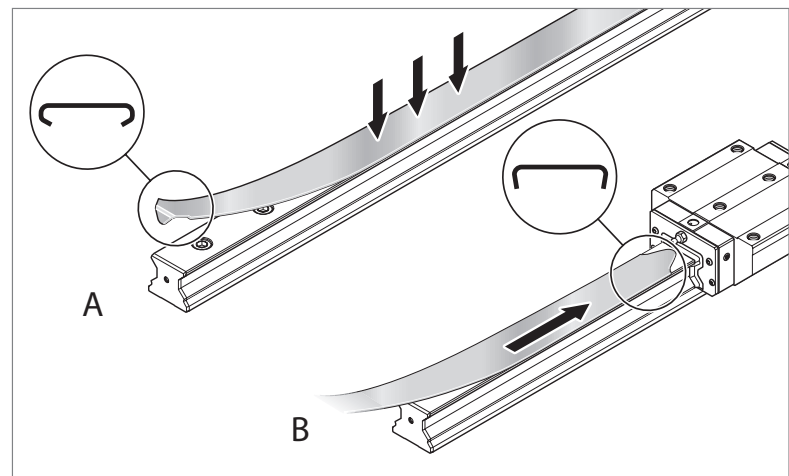


Fig. 27: Snap-fit/sliding Rail Seal

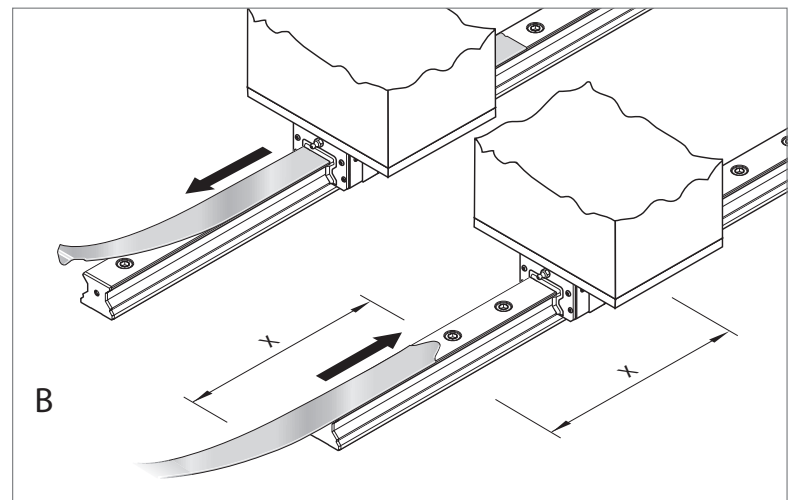


Fig. 28: Sliding-fit Rail Seal

An arbor (available as an option) for Rail Seals can be used to create a sliding fit after installation.

The main advantage is that the length X of the sliding fit can be optimized to suit the installation conditions.

For mounting of sliding-fit Rail Seals see chapter 4.13.6

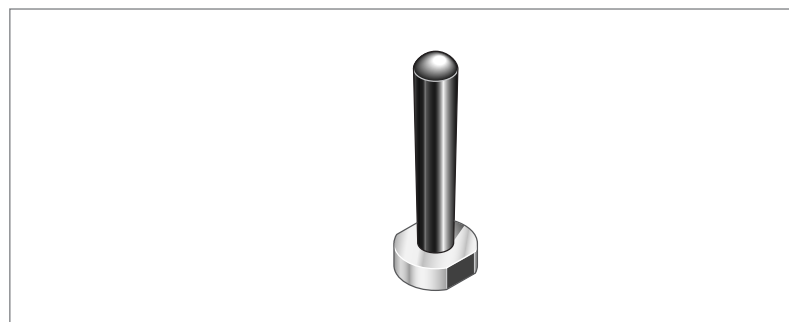


Fig. 29: Arbor for Rail Seals

4.12.2 Delivery

Guide rails with pre-mounted cover strip (Rail Seal)

For one-piece guide rails:

One-piece guide rails are shipped with the Rail Seal clipped on, both ends angled down. The protective caps and screws are enclosed.

For composite guide rails:

A Rail Seal (to cover the total length) and protective caps are supplied, together with the matching screws and washers in a separate packing unit. The packing unit is marked with the same manufacturing job number as the labels on the guide rails. The Rail Seals have one angled-down and one straight end.

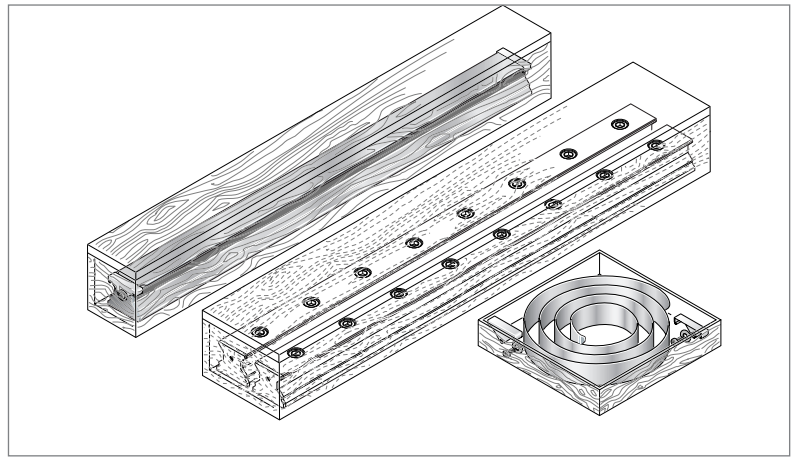


Fig. 30: Delivery of guide rails with cover strip

R1619- without cover strip (for storage /replacement)

See relevant catalog for deliverable lengths.

Principle:

A suitable Rail Seal can be delivered for every guide rail length in accordance with the length matrix.

- ▶ If short guide rails are used, the Rail Seal will have to be shortened to suit.
- ▶ Observe the overhang L_V ! ➔ Fig. 38

Delivery:

- Short Rail Seals: unrolled in oblong packaging.
- Long Rail Seals are rolled in boxes.
- Protective caps are available as an option.

👉 Keep the packaging to use as a protective cover for Rail Seals during mounting!

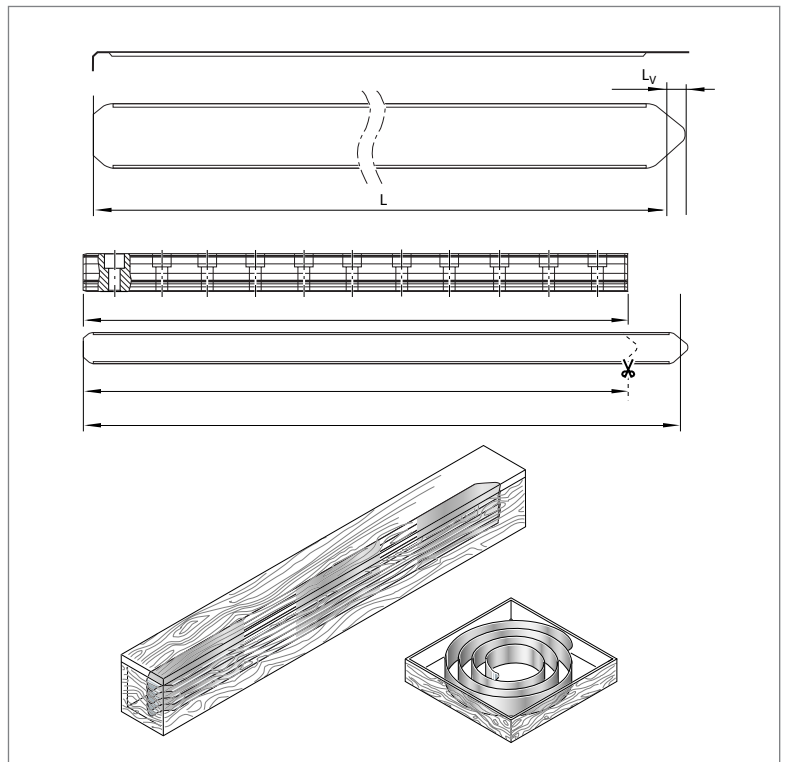


Fig. 31: Rail Seal for storage

Protective caps

Use protective caps to protect the Rail Seal.

Protective caps can:

- Prevent injury
- Prevent accidental lifting of the Rail Seal and infiltration of dirt
- Fix Rail Seal.

Mounting the protective caps ➔ 4.13.7

If it is not possible to mount protective caps, secure the Rail Seal via other means. ➔ 4.13.7

See relevant catalog for protective cap part numbers.

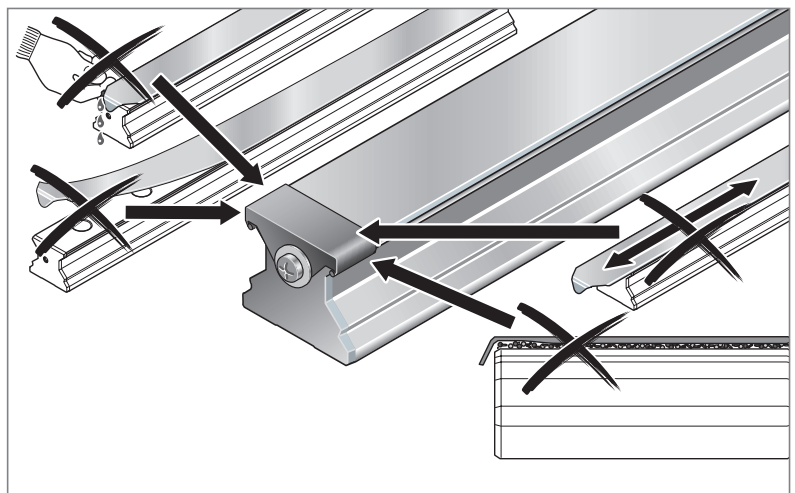




Fig. 32: Protective caps for guide rails


4.13 Mounting Rail Seal


4.13.1 Basic preparations


 Clean all the mounting surfaces and the workplace thoroughly before mounting!

4.13.2 Protecting the Rail Seal

 Do not bend the Rail Seal! Never attempt to remove the Rail Seal from its packaging by pulling on one end! Bent Rail Seals must not be used!

 Keep the packaging to use as a protective cover for Rail Seals during mounting!

 Before, during and after mounting, protect the Rail Seal from scratches, dirt, impacts, etc.!! Any damage to the Rail Seal will shorten its service life!

 The Rail Seal can be protected by the following:

- Transport packaging
- Cable duct
- etc.

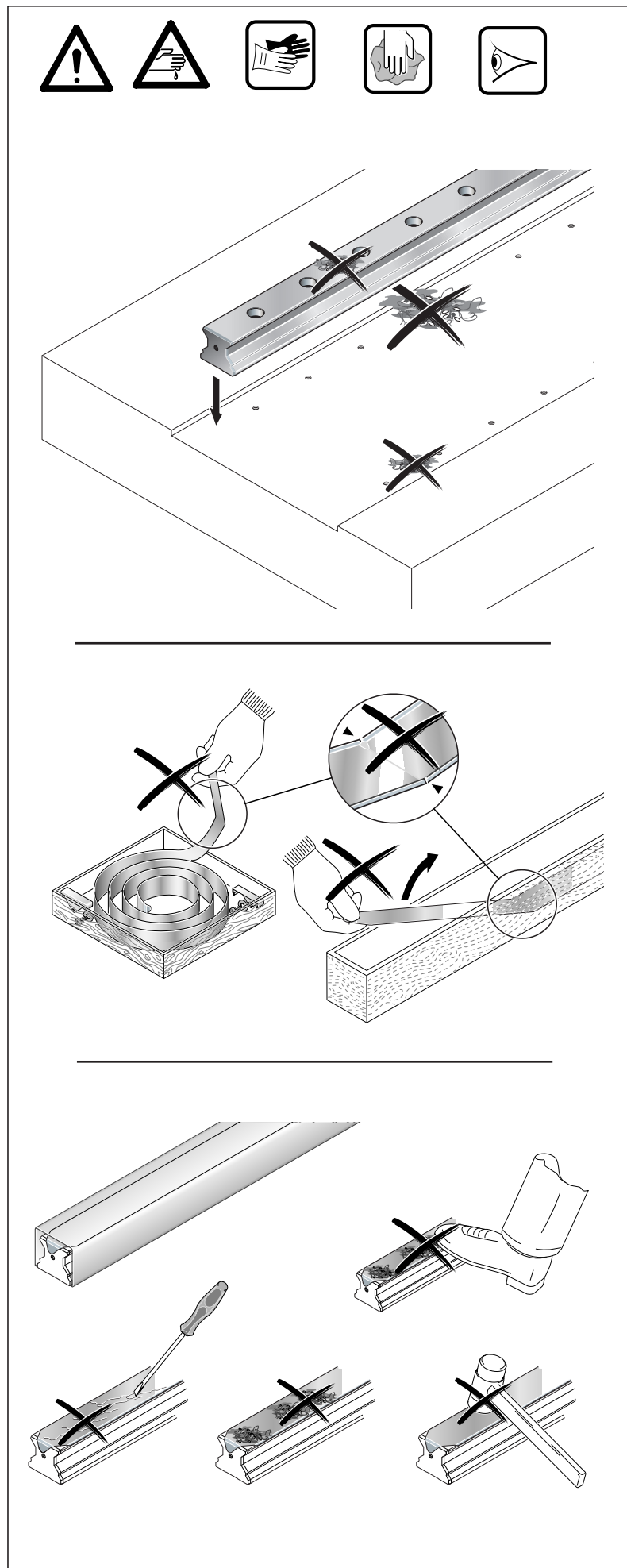



Fig. 33: Rail Seal mounting principles


4.13.3 Mounting enclosed Rail Seals


Observe section 4.12. 2

Preparations for mounting one-piece rails:

- ▶ First carefully remove the guide rail with the Rail Seal from its packing crate.
- ▶ Use a suitable tool to cut through the wrapping paper. The guide rail must not be damaged by blades or similar in the process.
- ▶ The Rail Seal is modified exactly to fit the length of the guide rails. Please take care always to remount a removed Rail Seal on the matching guide rail.
- ▶ Before installing the rail, carefully peel off the Rail Seal from one end to the other. Use the lift-off plate for 0.3 mm Rail Seals!

 Risk of injury at the edges and ends of the Rail Seal! Wear gloves!

 Do not bend or scratch the Rail Seal!

 Lay the Rail Seal on a clean surface and cover it with its packaging or similar means of protection!

- ▶ Mount the guide rail
- ▶ Check whether there is still anti-corrosion oil on the rail surface and re-apply if necessary.

Size	Part number Mounting arbor + lift-off plate	
	KSF	RSF
25	R1619 210 80	R1619 210 40
30	R1619 710 80	R1619 710 50
35	R1619 310 60	R1619 310 50
45	R1619 410 60	R1619 410 50
55	R1619 510 60	R1619 510 50
65	R1619 610 60	R1619 610 50

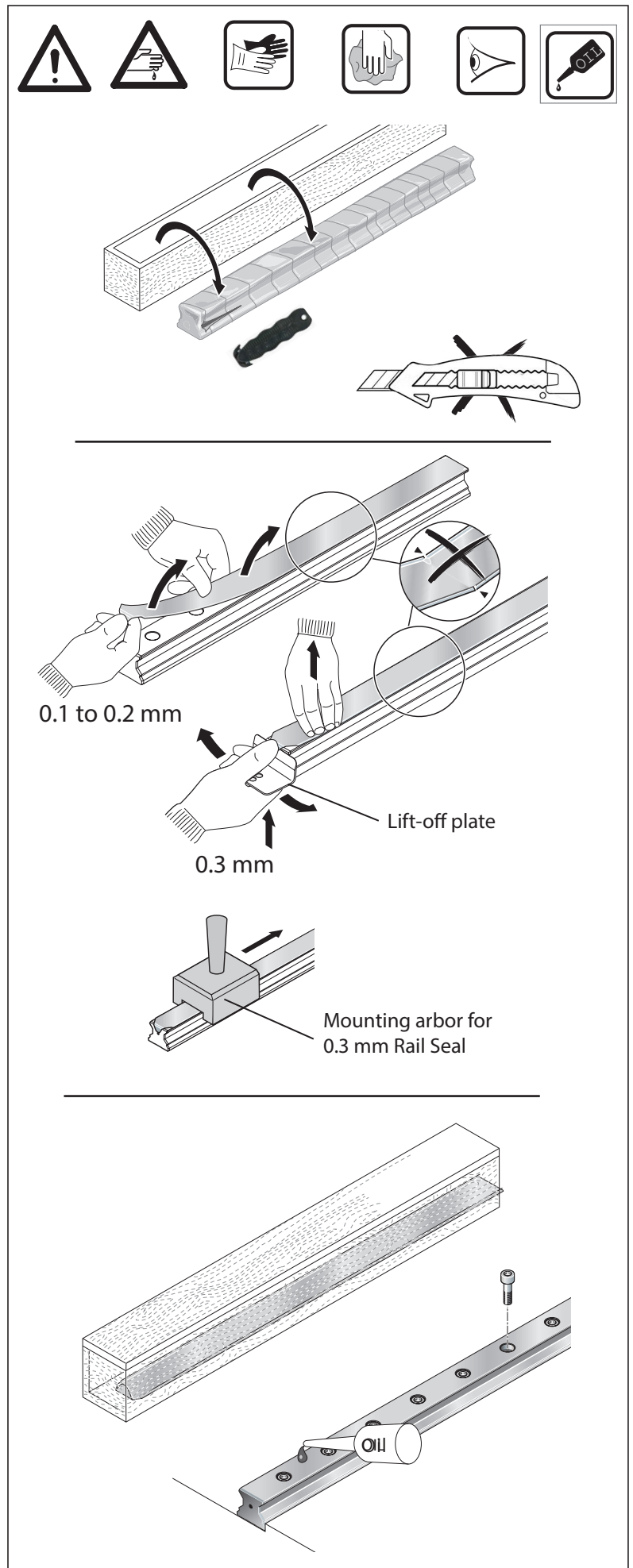


Fig. 34: Rail Seal mounting preparation

The following applies to all Rail Seals:

⚠ Check each Rail Seal prior to mounting!
Bent Rail Seals must not be used! When mounting the Rail Seal, start at the end of the rail where the runner blocks are to be slid on!

Mounting Rail Seals on one-piece guide rails

- ▶ Always remount the Rail Seal on its own guide rail.
- ▶ Position the Rail Seal on the rail end so that the bend in the seal tongue is flush with the end face.
- ▶ Clip on the first 20 to 50 mm.
- ▶ Check that the seal fits snugly and correct the fit if necessary.

Rail Seal 0.1 to 0.2 mm:

- ▶ Exerting slight pressure on the outer edges, gently smooth the strip down along its entire length so that its edges snap into the grooves on both sides of the rail.

0.3 mm Rail Seal:

- ▶ Use mounting arbor!

⚠ Check that the seal fits snugly all along the rail!

⚠ The Rail Seal must fit snugly around the end of the guide rail! No burrs permissible! If necessary, correct the fit.

- ▶ Lift up the end of the Rail Seal and gently ease the tongue downwards.
- ▶ Clip the Rail Seal back onto the rail.

Mounting Rail Seals on composite guide rails

- ▶ Carefully remove the Rail Seal from its packing crate, position the angled-down tongue flush on the end face, and clip down onto the rail.
- ▶ Use a plastic mallet to shape the tongue flush round the rail end.
Do not cut the tongue off!
- ▶ If necessary, shorten the end of the seal just enough to expose the tapped hole on the rail end face! ➔ Fig. 35

Before runner block mounting:

- ▶ Keep Rail Seal covered! ➔ 4.13.2

After runner block mounting:

- ▶ Fit protective caps! ➔ 4.13.17

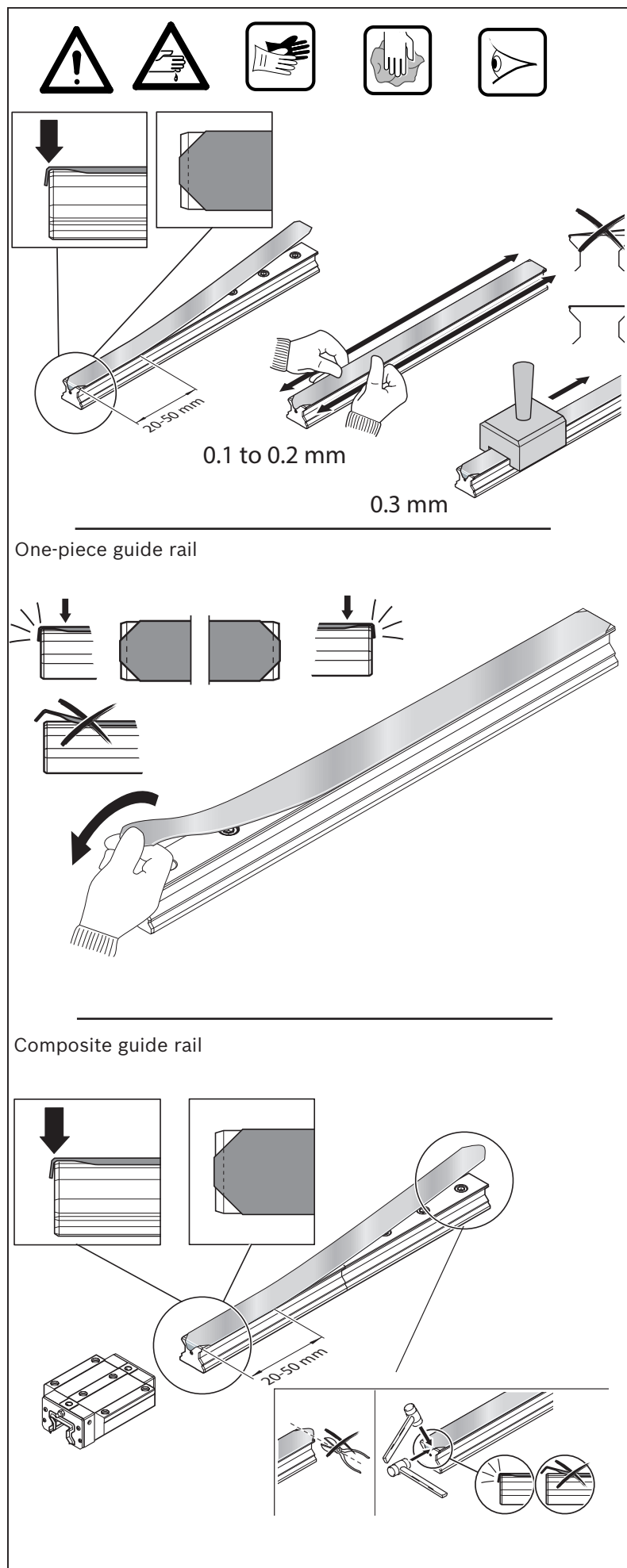



Fig. 35: Mounting Rail Seal

4.13.4 Mounting loose snap-fit Rail Seals

Observe section 4.12.1 A and 4.12.2

Starting point:

- Initial installation
- Already installed guide rail with defective Rail Seal from which the runner block (and any superstructure) has been removed
- A defective Rail Seal must be removed and recycled.

 Risk of injury at the edges and ends of the Rail Seal! Wear gloves!

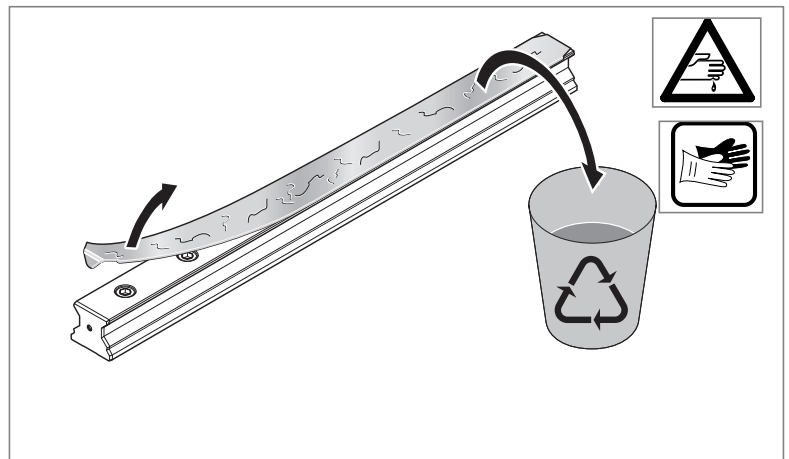




Fig. 36: Mounting loose Rail Seals

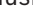
For custom-length Rail Seals:



 Rail Seals can be delivered already cut to the right length. One end tongue is angled down, the other straight.

Before mounting:

  Fig. 37

 When mounting the Rail Seal, start at the end of the rail where the runner block is to be slid on!

- ▶ Position the Rail Seal on the rail end so that the bend in the seal tongue is flush with the end face.
- ▶ Clip on the first 20 to 50 mm.
- ▶ Check that the seal fits snugly and correct the fit if necessary.
- ▶ Then clip the rail down along its total length.
- ▶ Use a plastic mallet to shape the tongue flush round the rail end. Do not cut the tongue off!  Fig. 37
- ▶ If necessary, shorten the end of the seal just enough to expose the tapped hole on the rail end face.

 The Rail Seal must fit snugly around the end of the guide rail!  Fig. 37
No burrs permissible!
If necessary, correct the fit.

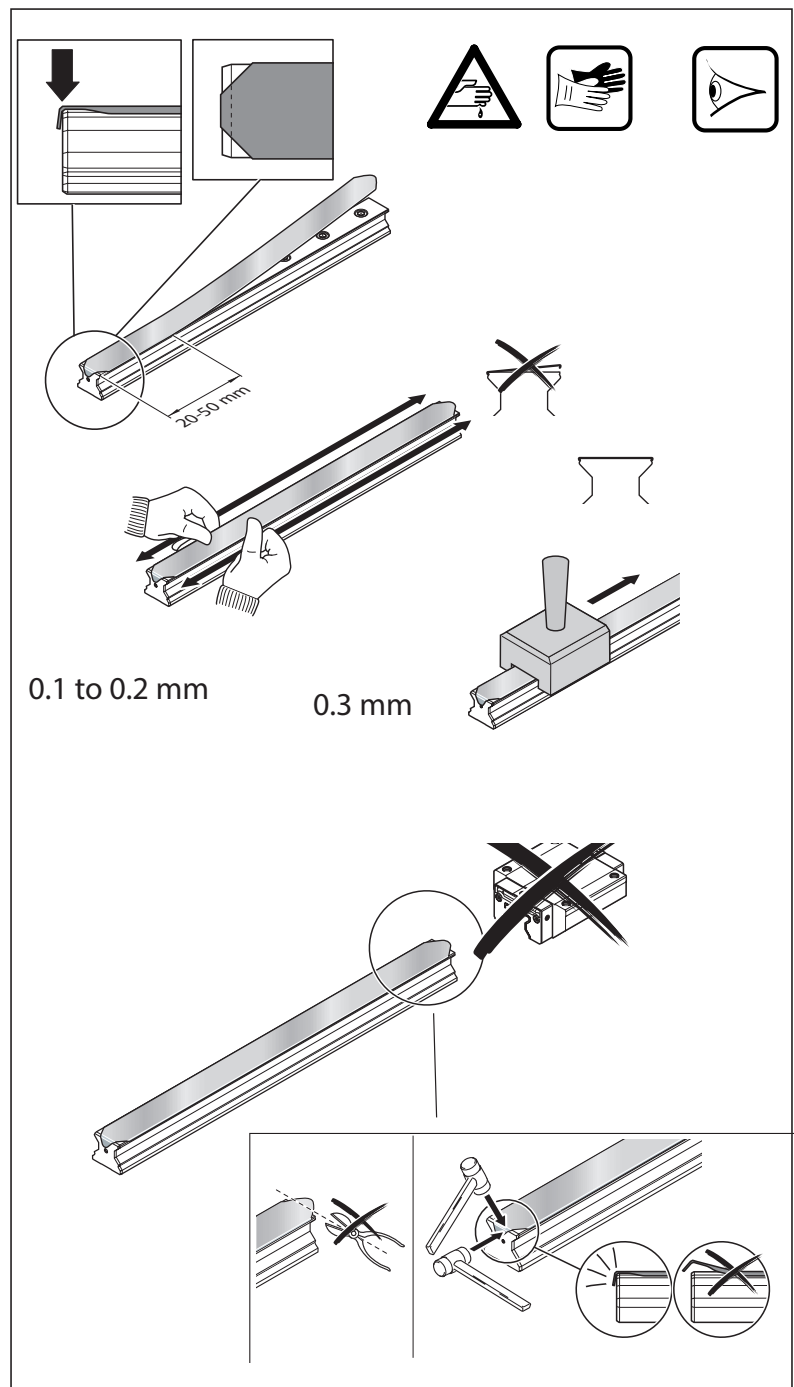


Fig. 37: Mounting custom-length Rail Seals

If the Rail Seal is not the right length:

- ▶ Mount the Rail Seal, starting at the end with the angled-off tongue.
 - ▣ Fig. 37
- ▶ Mark the overhang L_v and initially cut the end off straight.
- ▶ Using the cut-off with the straight tongue as a template, cut the Rail Seal end to shape. Observe L_v !

⚠ Risk of injury at the edges and ends of the Rail Seal! Wear gloves!

⚠ Do not bend or scratch the Rail Seal!

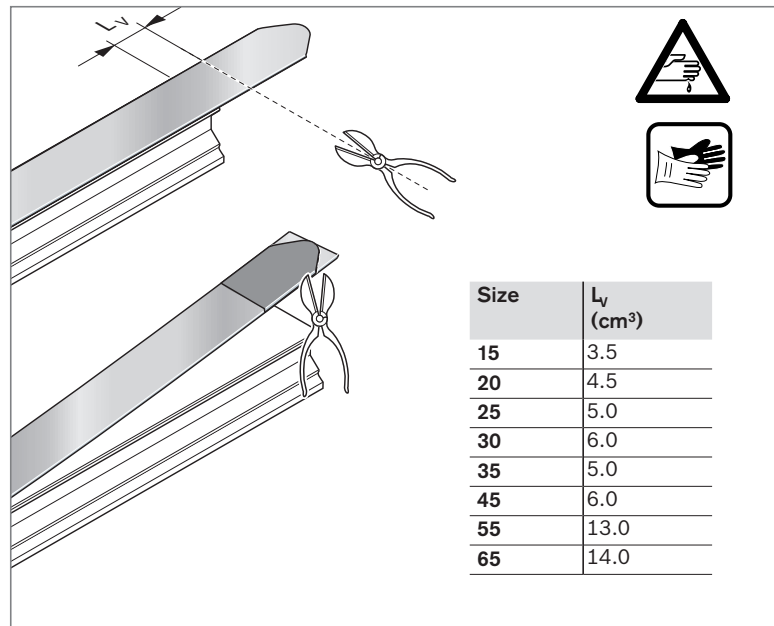


Fig. 38: Mounting Rail Seals if the Rail Seal is not the right length

- ▶ Use a grindstone to deburr the tops, bottoms and sides of the cut edges.

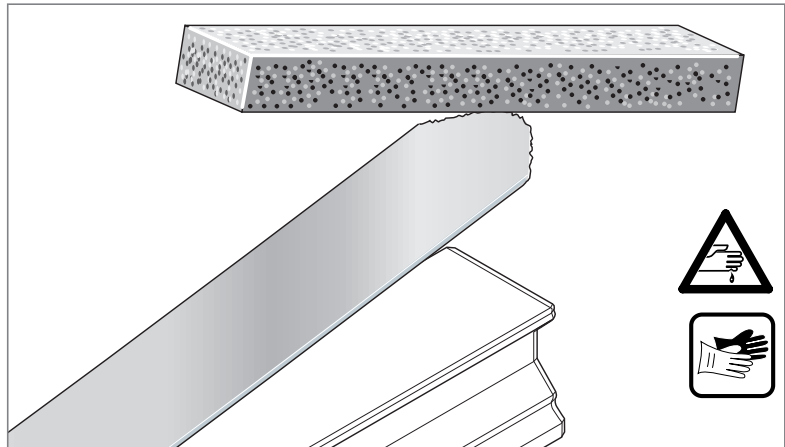


Fig. 39: Deburring the cut edges of the Rail Seals

- ▶ Use a plastic mallet to shape the tongue flush round the rail end.
- ▶ If necessary, shorten the end of the seal just enough to expose the tapped hole on the rail end face.

⚠ The Rail Seal must fit snugly around the end of the guide rail! No burrs permissible! If necessary, correct the fit ▣ Fig. 37.

⚠ Do not slide runner blocks on over the cut end of the Rail Seal! Slide runner blocks on at the preformed and reshaped end! ▣ 5.2

Fit protective caps ▣ 4.13.17

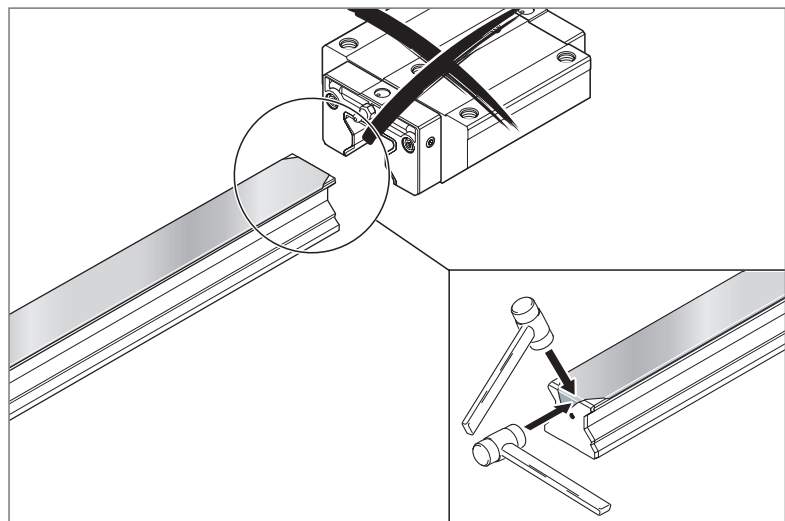


Fig. 40: Completing mounting of Rail Seals

4.13.5 Removing the snap fit Rail Seal

(With pre-mounted superstructure)

For guide rails up to approx. 1000 mm:

☞ Guide rails up to approx. 1000 mm require no widening of the Rail Seal.

- ▶ First remove the protective caps and store them. They are reusable!
- ▶ Lift the Rail Seal.

⚠ Do not bend the Rail Seal!

- ▶ Cut off the tongue only (as illustrated). Do not cut into the clip-on edges!

⚠ To prevent any damage to seals when the Rail Seal is pulled out, use a grindstone to deburr the top and sides of the cut edge! Also check that there are no burrs on the clip-on edges!

- ▶ Pull the runner block with its superstructure as far as possible toward the end of the rail where you have cut off the Rail Seal tongue.
- ▶ At the other rail end, lift the Rail Seal off the rail and use pliers to pull it out from under the runner block.

⚠ The Rail Seal is now unusable! Take it to recycling!

For guide rails of approx. 1000 mm and longer:

- ▶ First remove the protective caps and store them. They are reusable!
- ▶ Pull the runner block with its superstructure to a distance of at least $L + 500$ mm from one end of the rail.
- ▶ Lift the Rail Seal at this end.

⚠ Do not bend the Rail Seal!

- ▶ Cut off the tongue. ➡ Fig. 41

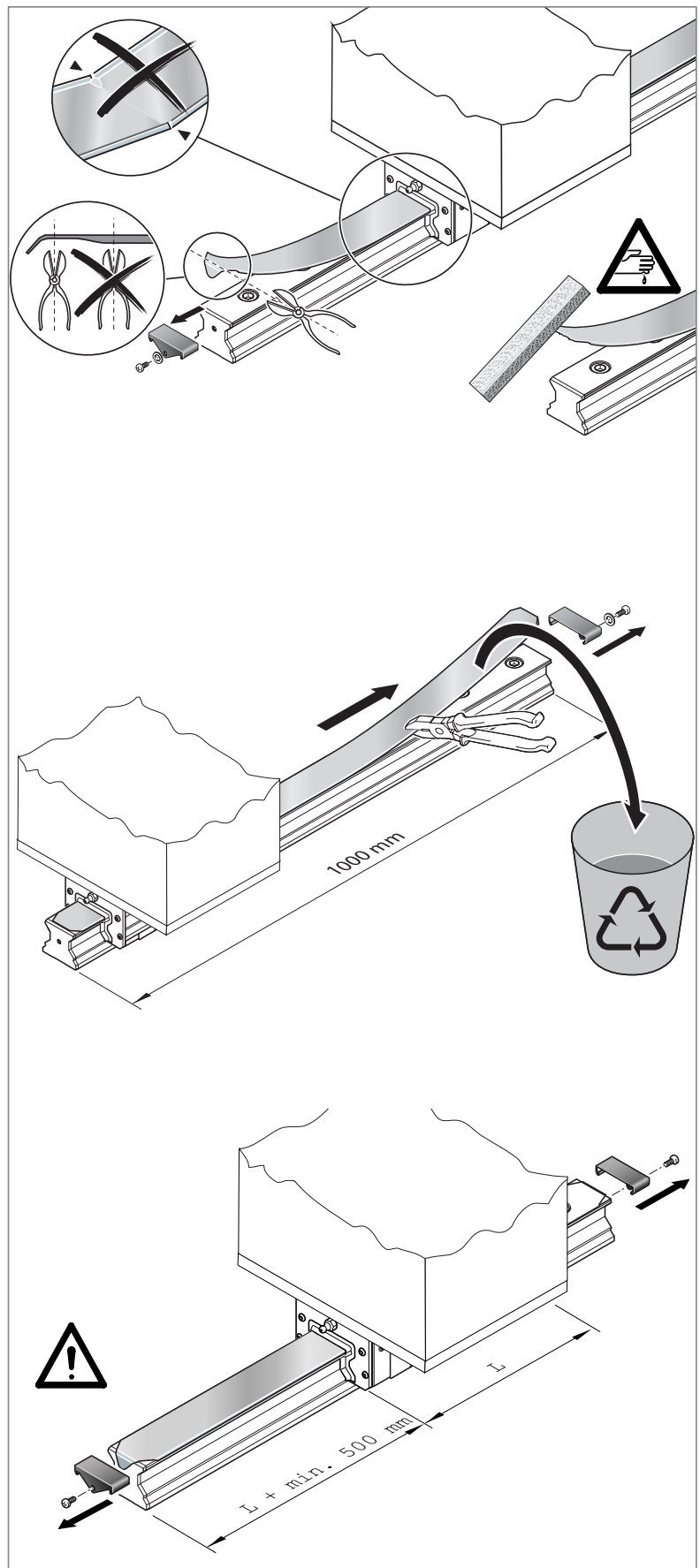



Fig. 41: Removing the snap-fit Rail Seal

- ▶ Widen the Rail Seal using the expanding tool with a wooden or plastic block as a support on the other side and pulling these simultaneously along the Rail Seal.

 Do not bend the Rail Seal!

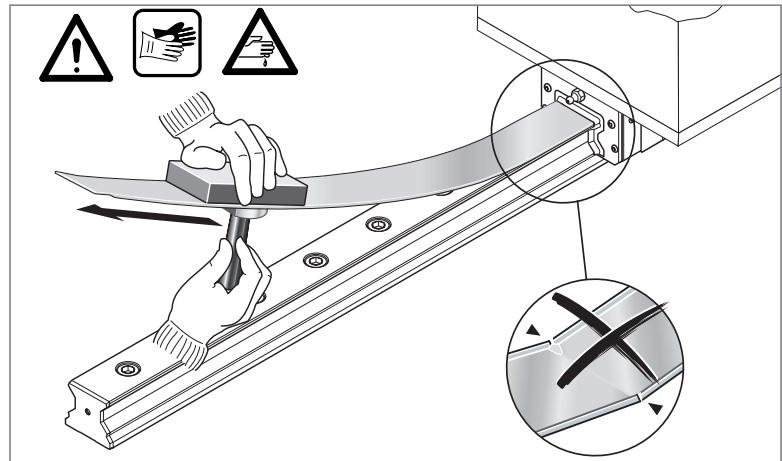


Fig. 42: Widening the Rail Seal

- ▶ Clip the widened sliding section of the Rail Seal completely back onto the rail.
- ▶ Push the runner block with its superstructure back onto the sliding section.

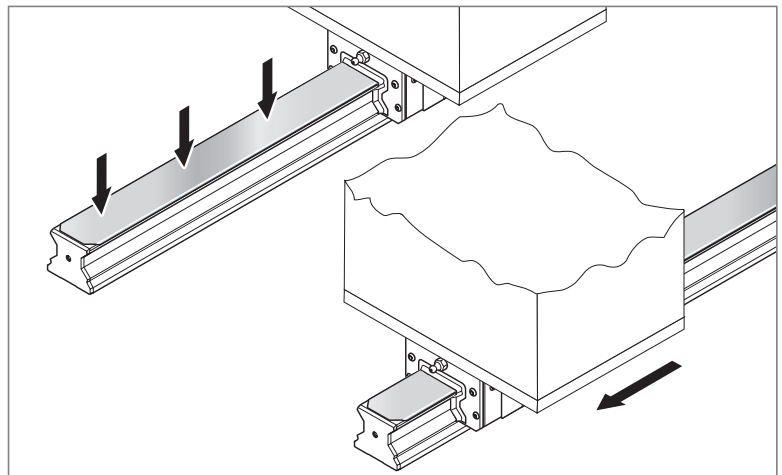



Fig. 43: Clip on Rail Seal/push runner block back into the widened sliding section

- ▶ Use pliers to ease the Rail Seal off the other end of the rail and pull it out from under the runner block.

 The Rail Seal is now unusable! Take it to recycling!

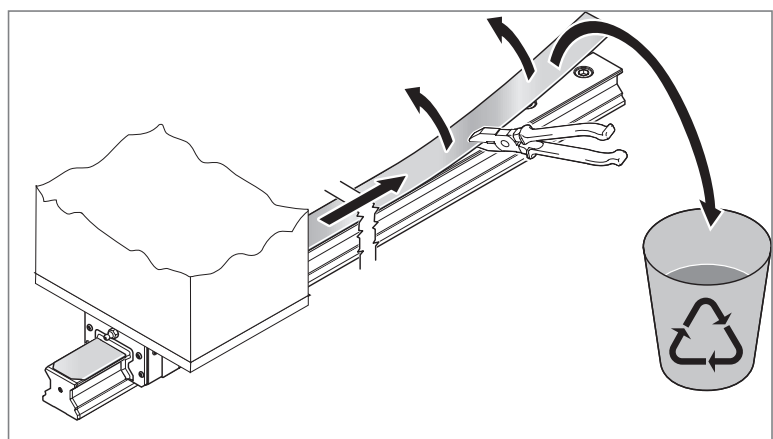


Fig. 44: Pulling out the Rail Seal

4.13.6 Mounting the sliding-fit Rail Seals

Observe section 4.12.1

Starting point (example):

Damaged seal needs to be exchanged. However, the runner block and its superstructure cannot be removed.

Solution:

A sliding-fit section can be prepared on the Rail Seal for mounting and removal purposes.

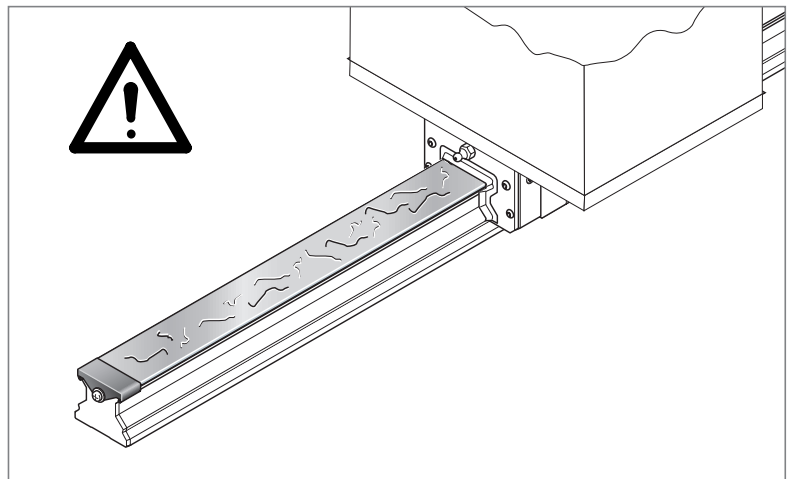




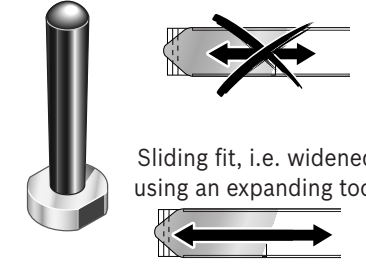
Fig. 45: Sliding-fit Rail Seal

Preparing the sliding-fit of the Rail Seal

An expanding tool is used to widen a section at the tongue end of a snap-fit Rail Seal, which can then be easily slid under the runner block.

The expanding tool can be ordered as an option. See table for part numbers.

 Rail Seals must be fixed in place with protective caps!  4.13.17



Size	Cover strip	Expanding tool material numbers
15	0.1 mm	R1619 115 10
20	0.2 mm	R1619 815 10
25		R1619 215 10
30		R1619 715 10
35	0.3 mm	R1619 315 30
45		R1619 415 30
55		R1619 515 30
65		R1619 615 30

Fig. 46: Material numbers for expanding tool

Calculating the length of the sliding fit


The maximum length of the sliding fit L_{Smax} is limited by the manual pushing force. See table opposite.

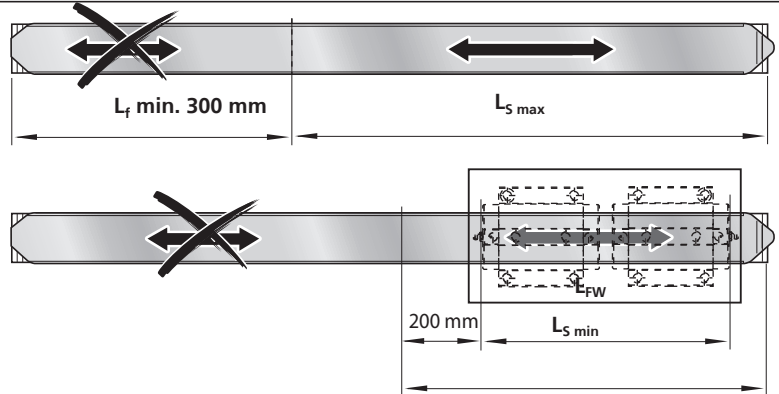
Minimum length of the sliding fit:

$$L_{Smin} = L_{FW} + \text{approx. } 200 \text{ mm}$$

(FW = runner block length)

In the smaller sizes up to size 25, the overall length of the superstructure may necessitate a longer sliding-fit section in order to be able to push the Rail Seal the required distance.

 The length of the snap-fit section L_f should be at least 300 mm!



Size	Max. sliding section L_{Smax} (mm)
15, 20, 25, 30, 35	1500
45	1800
55, 65	2000

Fig. 47: Calculating the length of the sliding fit

Preparing the sliding-fit section

(continued)

⚠ Place the Rail Seal with its edges pointing upward on a flat, clean surface!

- ▶ Insert the expanding tool into the Rail Seal at the transition point between the snap-fit and the sliding-fit sections, initially with the flat edges of the tool parallel to the Rail Seal edges. Then turn the tool 90° to the right (thread) and push down and out to widen the Rail Seal toward the end. Hold the Rail Seal down with the other hand.

⚠ Risk of injury at the edges and ends of the Rail Seal! Wear gloves!

For longer sliding-fit sections:

- ✍ The best solution is for two people to carry out the operation with one person holding down the Rail Seal while the other draws the expanding tool through.

Alternatively, one person working alone can widen the Rail Seal bit by bit.

⚠ Make sure the supporting surface is flat and clean!

⚠ Risk of injury at the edges and ends of the Rail Seal! Wear gloves! Take care not to let the expanding tool slip! You may cause burrs on the clip-on edges!

There is a risk of damaging seals!

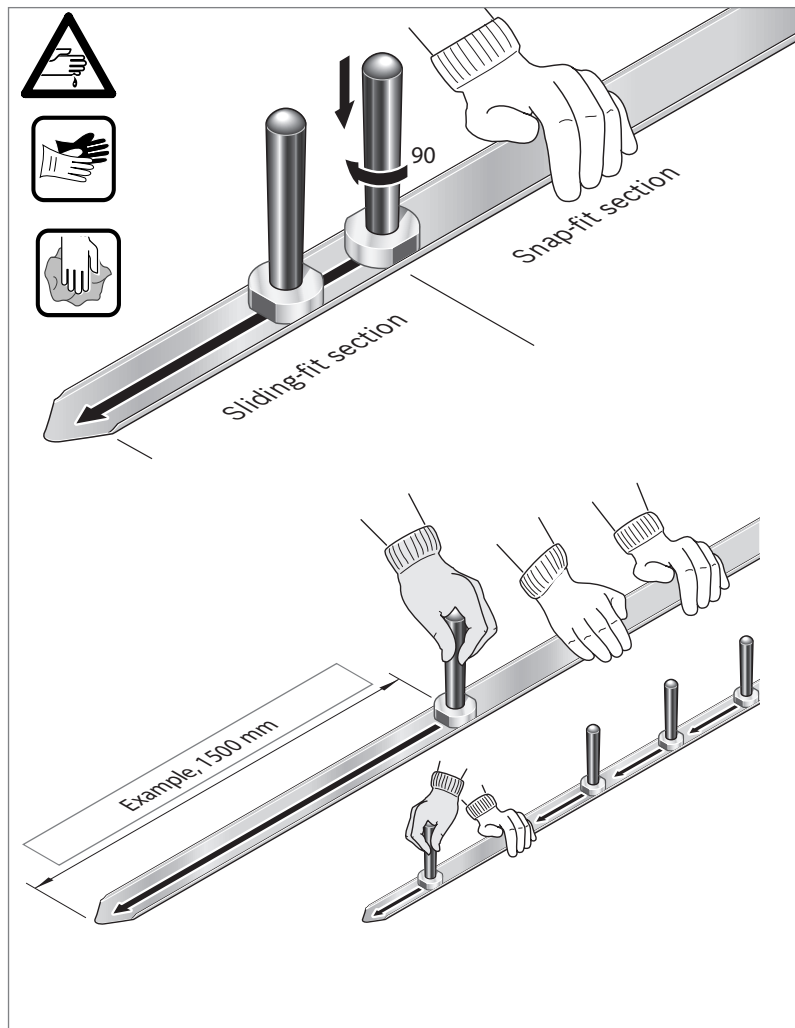


Fig. 48: Preparing the sliding-fit section

Checking the sliding fit

Generally, the expanding tool needs to be drawn through only once for optimum sliding capability and a good fit.

- ▶ Push the sliding section a little way onto the guide rail, always starting at the front of the rail!

⚠ If the Rail Seal does not slide on easily, there is a risk of it bending or not achieving the proper sliding-fit length! In this case, the sliding fit must be widened once more!

⚠ Risk of injury at the edges and ends of the Rail Seal!

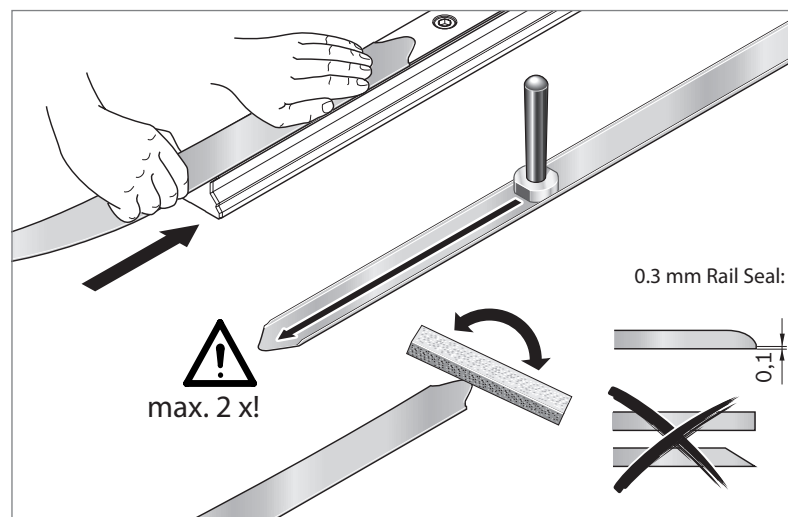



Fig. 49: Checking the sliding fit

Mounting the sliding-fit Rail Seal

- ▶ Push the runner block with superstructure to the other end of the rail, positioning the sealing lip of the first runner block over a mounting screw hole.
- ▶ Before sliding on the Rail Seal, make sure that the seal tongue is angled slightly downward to ensure it can be easily slid under the sealing lip of the runner block. ➔ Fig. 49
- ▶ Push the sliding-fit end of the Rail Seal onto the guide rail, starting at the front of the rail!
- ▶ Slide the whole length of the sliding-fit section onto the rail up to the runner block, while holding up the snap-fit section with the other hand!
- ▶ Slide the Rail Seal under the first runner block.
- ▶ Keep repositioning the superstructure so that the sealing lip of the next runner block is above a mounting screw hole.
- ▶ Slide the Rail Seal under the remaining runner blocks until the tongue of the Rail Seal projects beyond the end of the rail. Observe the overhang L_V !
- ▶ Exerting slight pressure on the outer edges, now gently smooth down the snap-fit section of the Rail Seal along its entire length so that its edges snap into the grooves on both sides of the rail.
- ▶ If necessary, shorten the projecting end of the Rail Seal. ➔ Fig. 38.

 Check that the seal fits snugly all along the rail!

- ▶ Angle down the Rail Seal tongue. ➔ Fig. 37.
- ▶ Fit protective caps. ➔ 4.13.17.

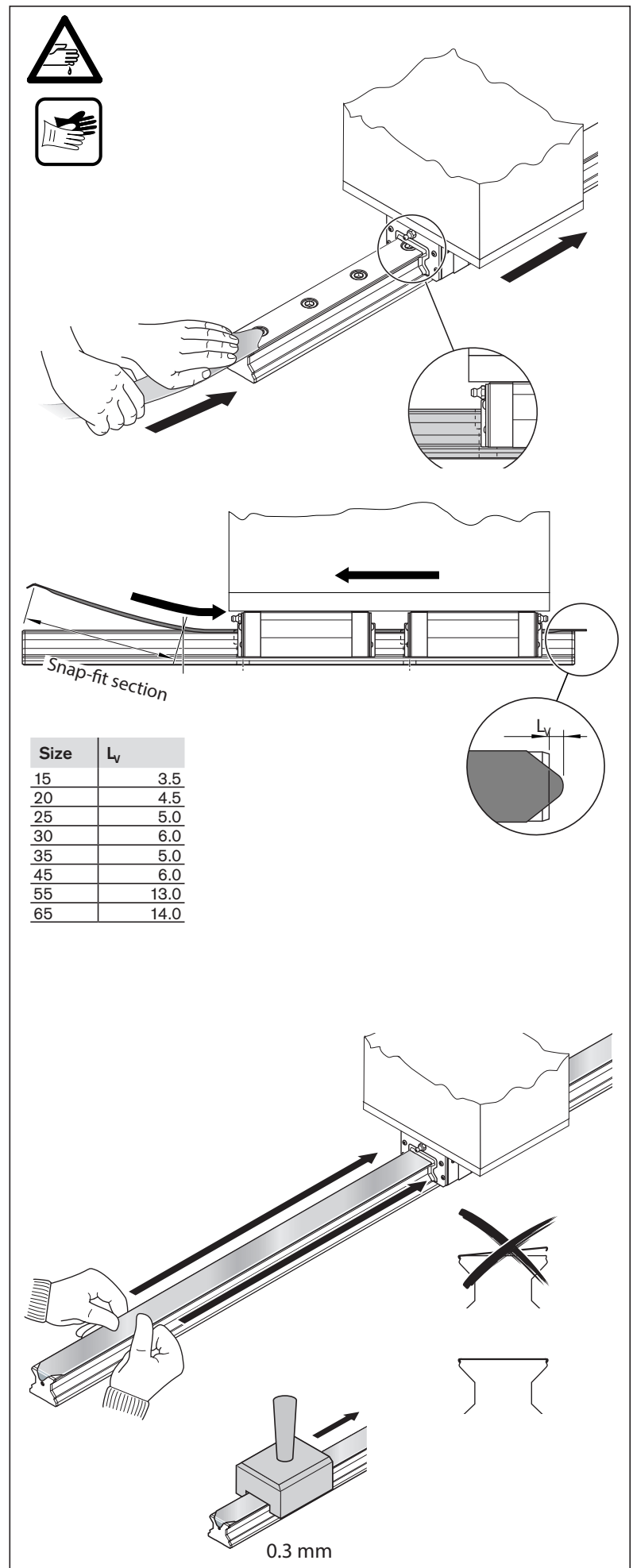


Fig. 50: Mounting the sliding-fit Rail Seal

4.13.7 Securing the Rail Seal

- ▶ Rail Seals should preferably be secured using a strip clamp (A) or protective caps (B) (1)!

For protective caps threads are provided in the end faces of the guide rails ex works.

If it is not possible to mount protective caps or the strip clamp:

- ▶ Fasten the tongue directly to the rail end face using the screws and washers provided with the protective caps (2).

Alternatively (equivalent, to be performed by customer(3)):

If it is not possible to secure the Rail Seal on the rail end face, it may be secured on the rail top:

- ▶ Drill a 3.3 mm diam. hole from above through the Rail Seal into the rail.
- ▶ Widen the hole in the Rail Seal to 4.5 mm diam.
- ▶ Tap an M4 thread, remove drillings, and secure Rail Seal with a screw.

or (4):

- ▶ First proceed as in (3.), then machine an additional 90° countersink, remove drillings, and screw down Rail Seal using a countersunk screw.

⚠ For all fastenings without protective caps: Seal the end of the seal (bevel cut) with highly viscous oil so that no dirt can infiltrate!

⚠ Limit the stroke to ensure the runner block will not run right to the rail end (bevel cut of the Rail Seal) or over the countersunk screw, otherwise the seals could be damaged.

Observe dimension L_s (5)!

Before mounting the runner block (6):

- ▶ Oil or grease the chamfers and the Rail Seal at the end face of the guide rail as well as the runner block seal lips.

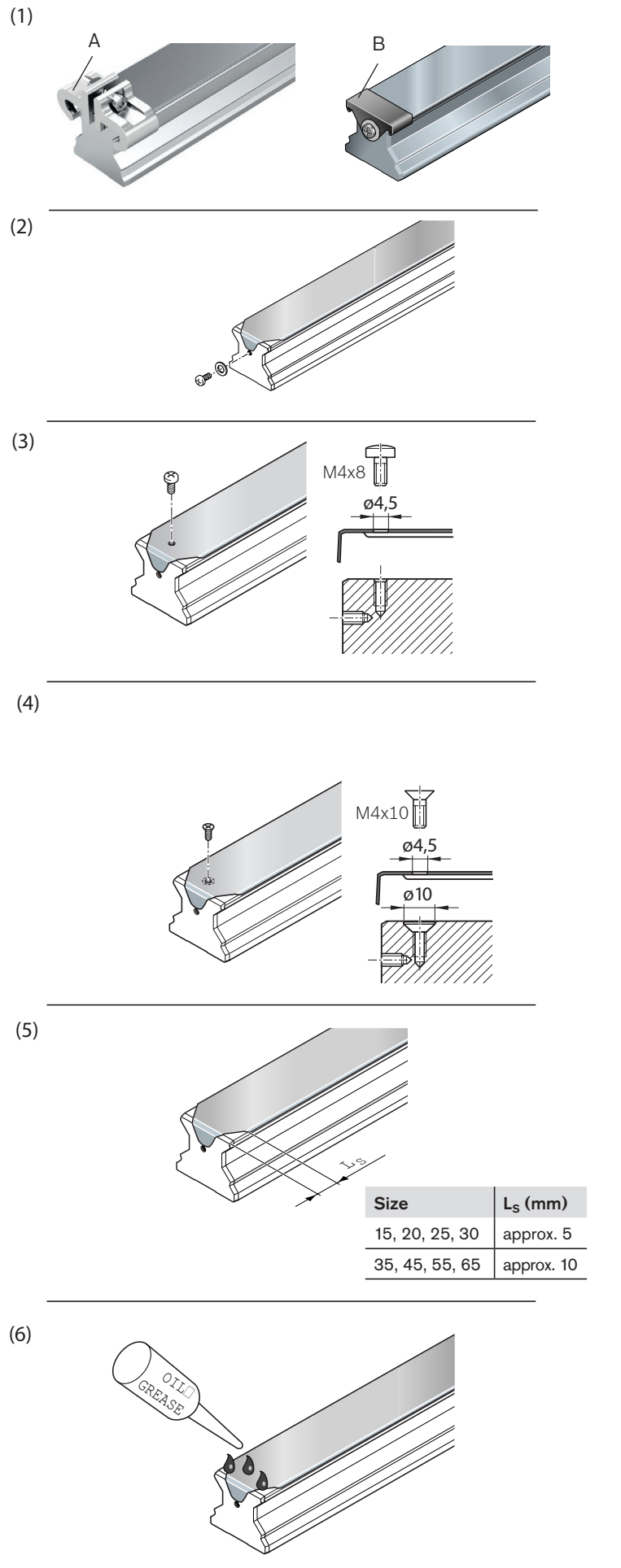


Fig. 51: Securing the Rail Seal

5 Mounting BSHP, RSHP, BSCL runner blocks

- ▶ Consider the weight of the runner blocks
 ➔ 3.2

⚠ WARNING

Risk of injury in the case of vertical installations. Runner block may drop down.

Minor to serious injuries (depending on the weight of the runner blocks).

- ▶ Secure the runner blocks against dropping.

⚠ CAUTION

Risk of injury due to unplugged mounting holes in the runner block

Injury to fingers if a finger becomes jammed a mounting hole and the runner block is moved.

- ▶ Always cover the runner block mounting holes. For example with adhesive tape (3) (packaging tape)!

⚠ WARNING

Excessively high loads and moments may cause the limits for screw connections to be exceeded.

Risk of injury or death due to falling rail system.

- ▶ Screw connections must be recalculated and verified during design calculations. See catalog.

NOTICE

The rolling elements may fall out! Damage to the runner block!

Damage to the product

- ▶ Do not pull the runner block (1) before the mounting arbor (2). This must remain in the runner block until it is slid onto the guide rails! Otherwise, rolling elements may fall out.

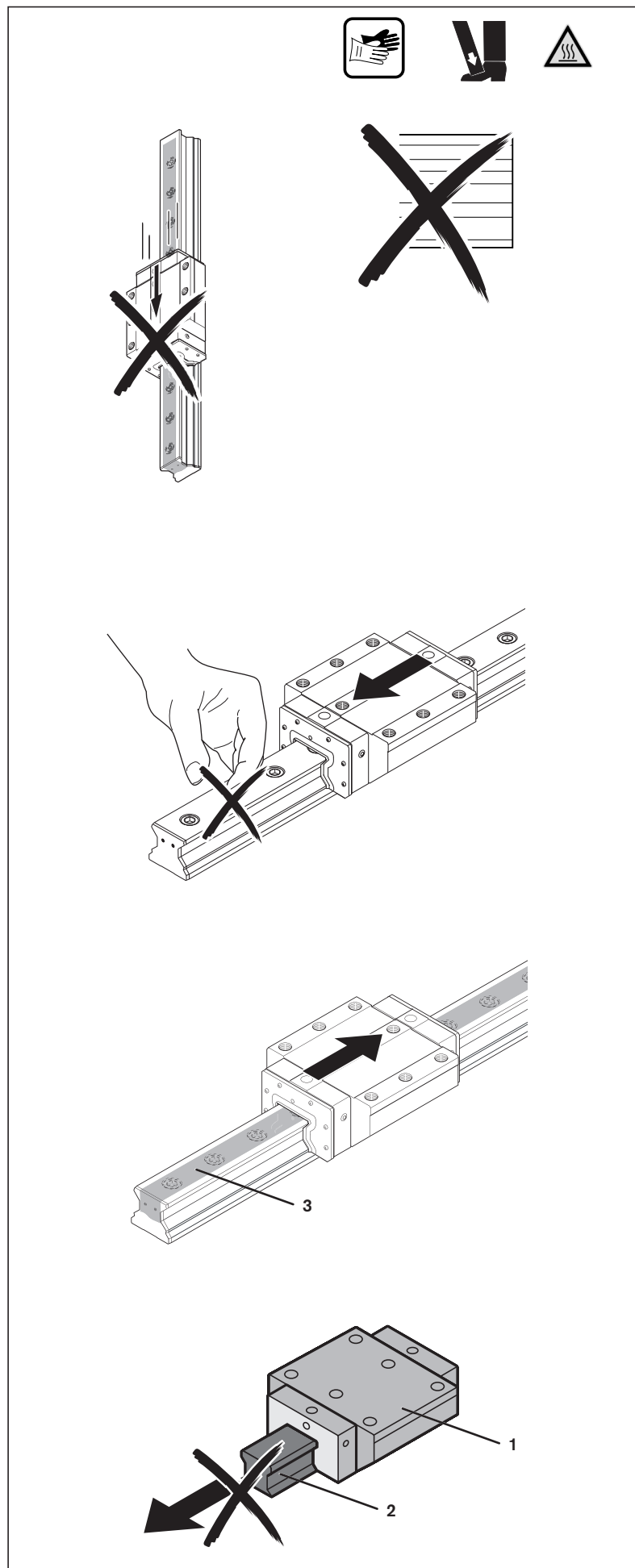


Fig. 52: Mounting the runner block (instructions)

5.1 Preparation

- ▶ The runner blocks (1) are delivered with a plastic arbor (2).

NOTICE

Damage to the runner block! (seals)

Damage to the product

- ▶ For one-piece guide rails, chamfer the end faces and round the transitions of the edges as necessary.
 - ▶ For composite guide rails, hone the joints of the guide rail.
 - ▶ Do not screw in the lube nipple too tight.
- ▶ Screw in lube nipple (3).
 - ▶ Remove the seal plug (4) if present.
 - ▶ Apply oil or grease to the sealing lips and longitudinal seals on the runner block. When doing this, shift the mounting arbor only as far as necessary to expose the sealing lips.
 - ▶ RSHP: To facilitate the mounting and measurement (e.g. with a mounting runner block) of heavy duty roller runner blocks, use 1 or 2 mounting aids (5) depending on the requirements.
 - ▶ Checking of the parallelism or vertical offset should preferably be done using a mounting runner block (only for RSHP). It is also possible to do this with runner blocks which will not be used in the production process. If checking is done with runner blocks that will be used in the production process, their sealing lips must be protected. For example by sticking down the mounting holes of the guide rail using adhesive tape (6) (packaging tape)!

Runner blocks are treated with an oil-based preservative before leaving the factory. Clean all reference and mating surfaces.

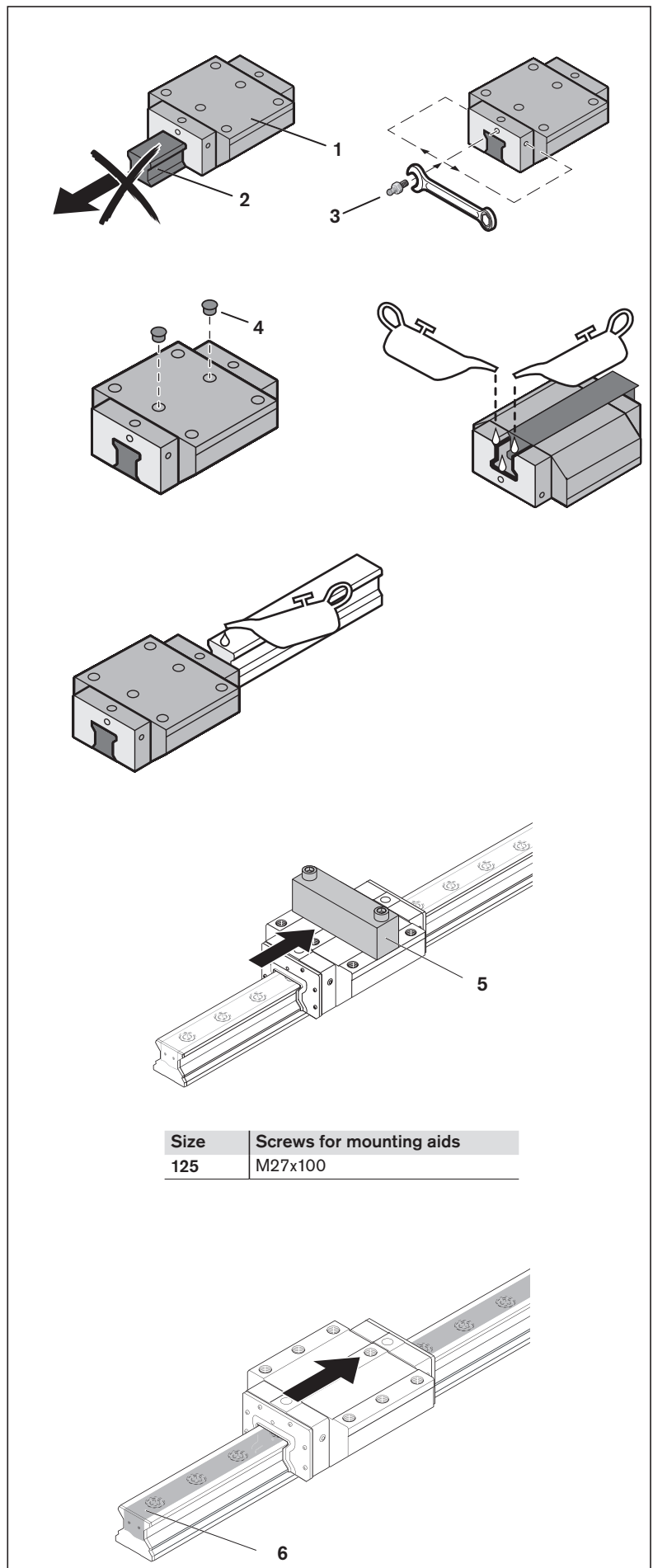


Fig. 53: Preparations for mounting the runner block

5.2 Sliding the runner block onto the guide rail

i If the mounting holes on guide rails for mounting from above have not yet been sealed, this must be done with adhesive tape (3) (e.g. packaging tape).

i Runner blocks with measuring system (4) must never be pushed onto the guide rail with the measuring system side first!

Take note of the Instructions for Integrated Measuring System for Ball and Roller Rail Systems.

1. Make sure that the end faces of the guide rails (6) are chamfered and free of burrs. The transitions at the chamfered edges (1) must be rounded.
2. Check whether a clipped-on cover strip (Rail Seal) fits snugly along the rail head and at the end faces (2).
3. Always push the runner block onto the end of the rail with the ready-made angled-down Rail Seal tongue! Never attempt to push the runner block on over a cut end or one you have shaped yourself, as this may result in damage to the sealing lip and cause the runner block to fail! The Rail Seal must fit snugly at the end of the rail!
4. Check that all steel mounting hole plugs are flush and smoothed.
5. Check that all plastic mounting hole plugs are flush with the rail surface.
6. Apply oil or grease to the chamfers on the guide rail as well as to the end face of any mounted cover strip.
7. Position the runner block with the mounting arbor directly against the guide rail.
8. Carefully slide the runner block onto the rail.
If necessary, use lifting gear (5).
9. If necessary check the parallelism and vertical offset of the rail system
➔ 4.6/4.7.

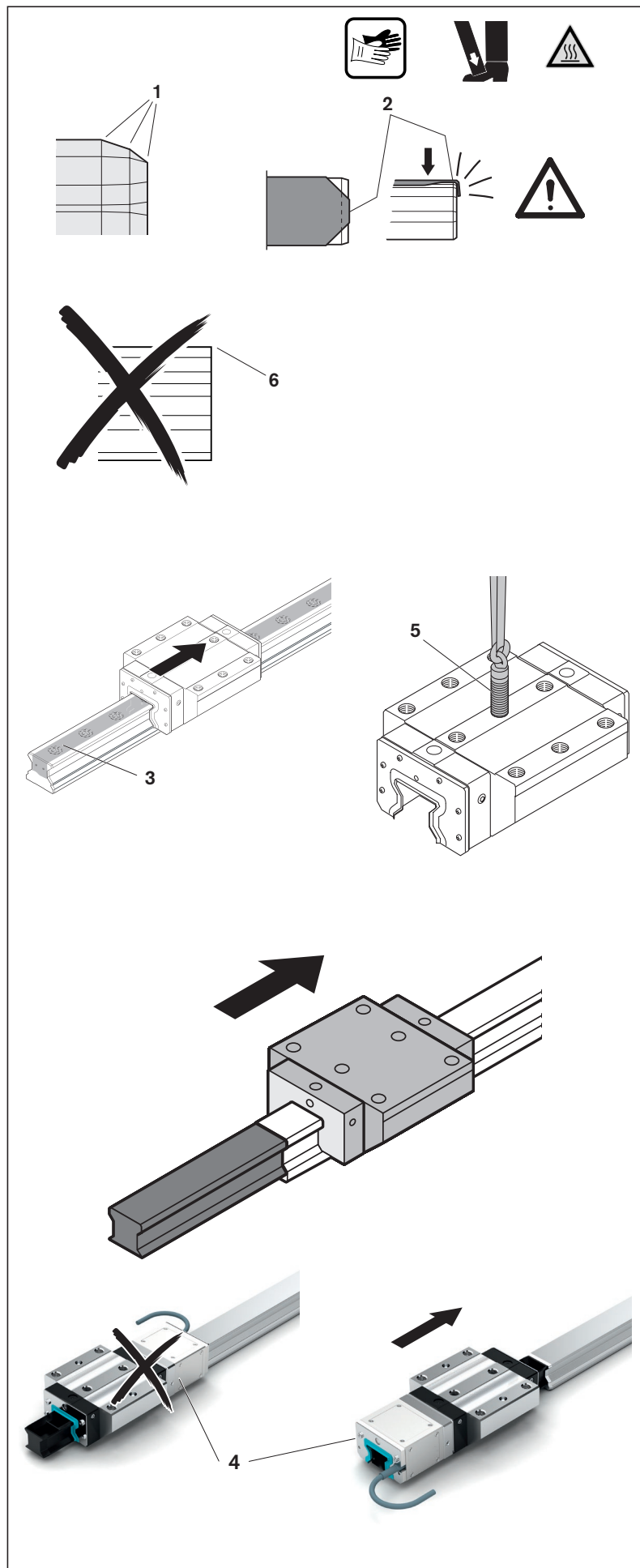


Fig. 54: Sliding on the runner blocks

5.3 Mounting attachments to runner blocks, general

Reference edges

i Ball runner blocks:
have one reference edge (1).

Roller runner block:
Standard and heavy duty roller runner blocks have one ground reference edge (1) on each side, while wide runner blocks have two (total of four).

1. Make drill holes (2) or tap threads (3) in the attachment (5) for fastening of the runner blocks (4).
See catalog for dimensions.
2. Check the corner radii r_2 , heights of reference edges (6) h_2 , and supporting and reference surfaces.
See catalog for dimensions.
3. Thoroughly clean the mating surfaces and mounting faces (7) of the runner blocks and the attachment.
➔ 4.4
4. Select and line up screws ready to fasten the runner blocks to the attachment.
Do not apply oil or grease to the screws!
Do not use washers!

i The screw-fastening scenarios shown here are examples.

! For fixing of the runner block with 6 screws:
Tighten center line screws to tightening torque M_A of strength class 8.8.

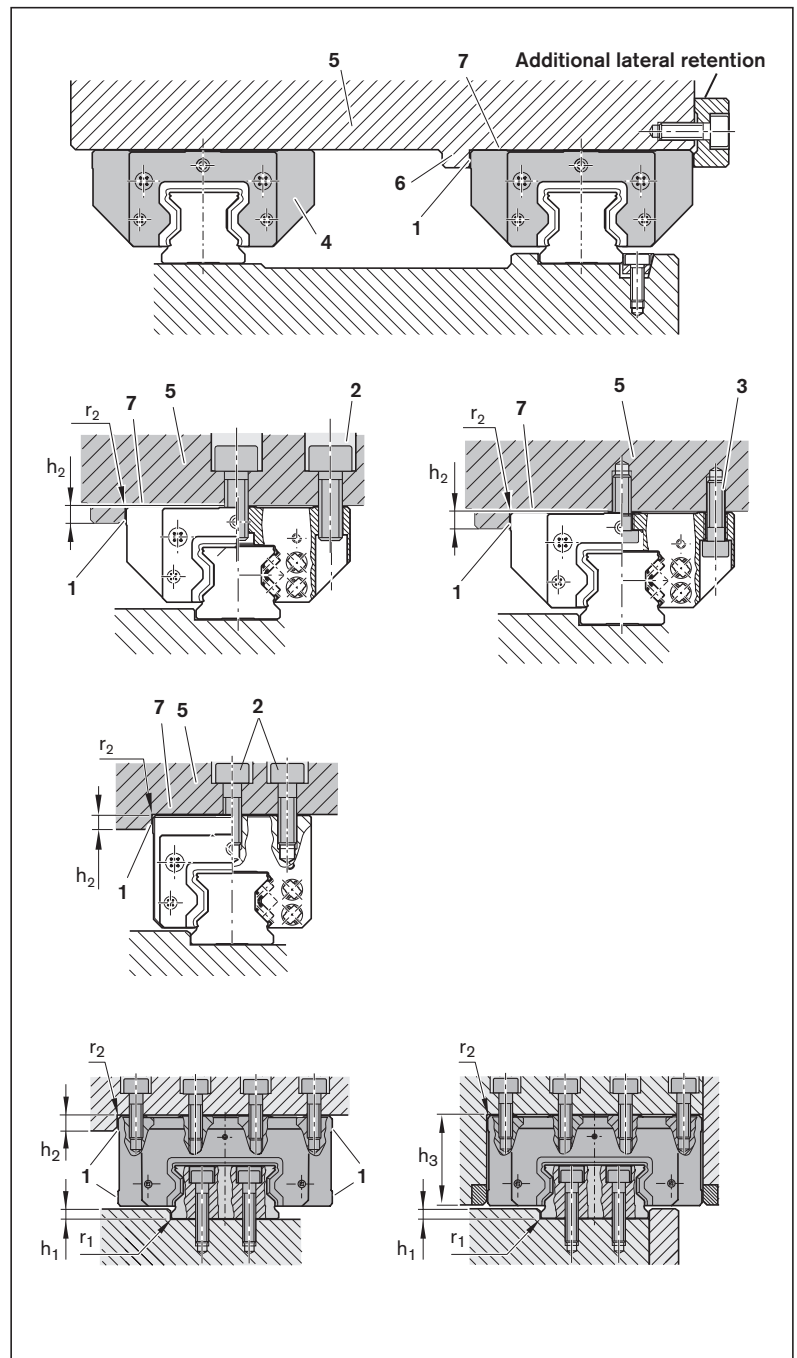


Fig. 55: Mounting attachments to runner blocks

5.3.1 Mounting scenarios for attachment mounting

i Attachments (5) are normally mounted to several supporting runner blocks/guide rails.

For the sake of clarity, the mounting scenarios are shown with only one runner block (4) here.

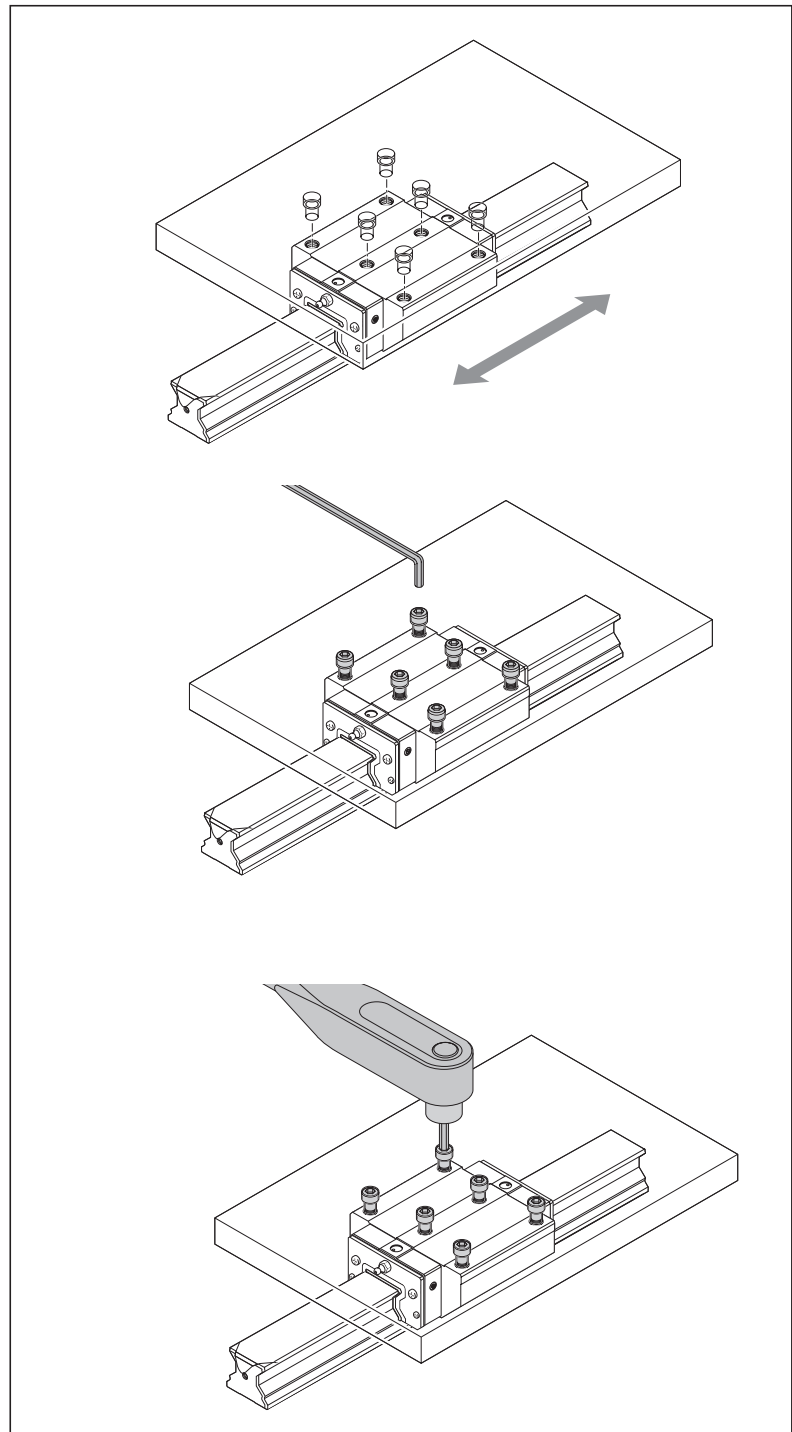
The runner blocks can be fastened at a reference edge (6) and with additional lateral retention.

See the following pages for mounting scenarios


Scenario 1:**Top-down fastening of attachments to runner block**


- ▶ The runner blocks have already been mounted onto the guide rails.
- ▶ The guide rail mounting holes are sealed.


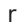
1. Clean the reference edges and contact areas.
2. Lay the attachment on the runner block(s) and align it precisely with the threads in the runner block(s).
3. If necessary, move the runner block on the guide rail on the rail until the holes and threads are lined up.
4. Pre-assemble the screws but do not tighten them yet.
5. If required, press the guide rails against the reference edge and mount additional lateral retention.
6. Tighten the screws cross-wise alternately to the specified tightening torque.

**Fig. 56: Fitting attachments to runner blocks**

Scenario 2:**Bottom-up fastening of runner blocks to attachment for spaces with restricted access**

 With the bottom-up fastening method, the roller block is first mounted to the attachment and the whole assembly then slid onto the guide rail.

 Do not remove the mounting arbor from the runner block!
Holes are present in the mounting arbor to allow fastening of the centerline screws.

1. Lay the attachment (1) down on a non-slip surface (2).
2. If necessary, clean the reference edges and contact areas.
3. Carefully place the runner block with its attachment mounting face downwards (mounting arbor visible) and align it precisely with the threads in the attachment.
4. Pre-assemble the screws but do not tighten them yet.
5. If required, press the runner block against the reference edge (3) and mount additional lateral retention  Fig. 55.
6. Tighten the screws to the specified tightening torque.
7. Slide the runner block assembly (runner block with attachment) onto the guide rail  5.4

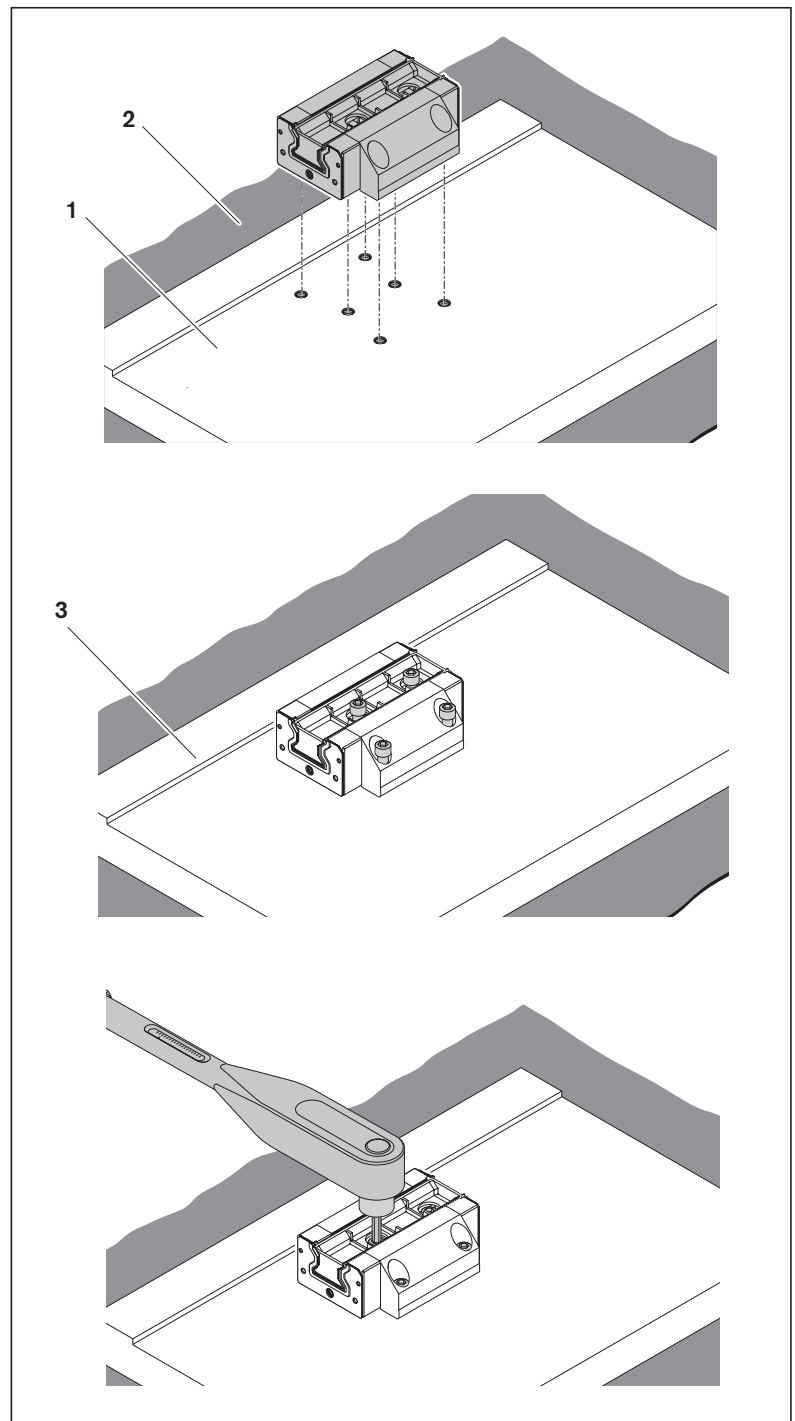



Fig. 57: Fitting runner blocks with attachments

Scenario 3:**Bottom-up fastening of runner blocks to attachment (with free access to mounting holes O_1)**

 Rolling elements may fall out! When removing the runner blocks from the guide rail, they must be slid onto the mounting arbors again.

1. The runner blocks have already been mounted onto the guide rails.
2. Clean the reference edges and contact areas.
3. Position and press reference edge (1) of the attachment (7) against the reference edges (3) of all the runner blocks on the one guide rail (4).
4. If necessary, provide additional lateral retention (2).
5. Tighten the outside screws O_1 to the specified tightening torque. Leave the tightening of the centerline O_2 screws until later. ➔ Fig. 14.
6. Fix all the runner blocks (5) on the second guide rail (6), tightening screws to torque M_A . Leave the tightening of the centerline O_2 screws until later. ➔ Fig. 14

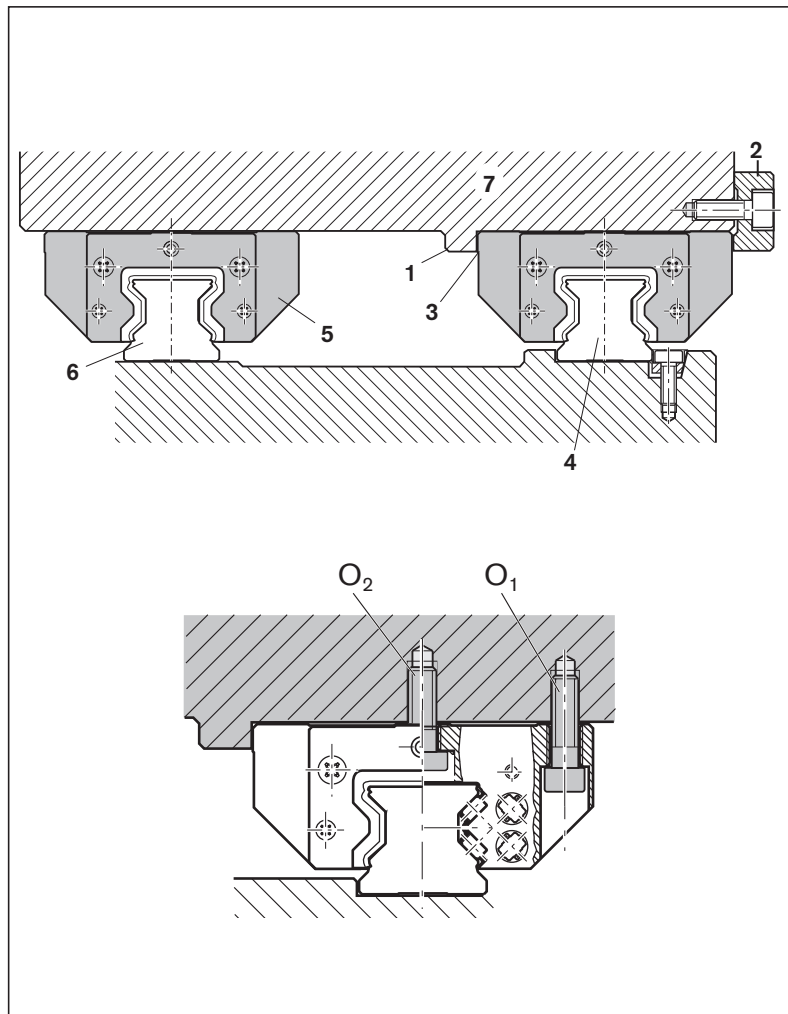
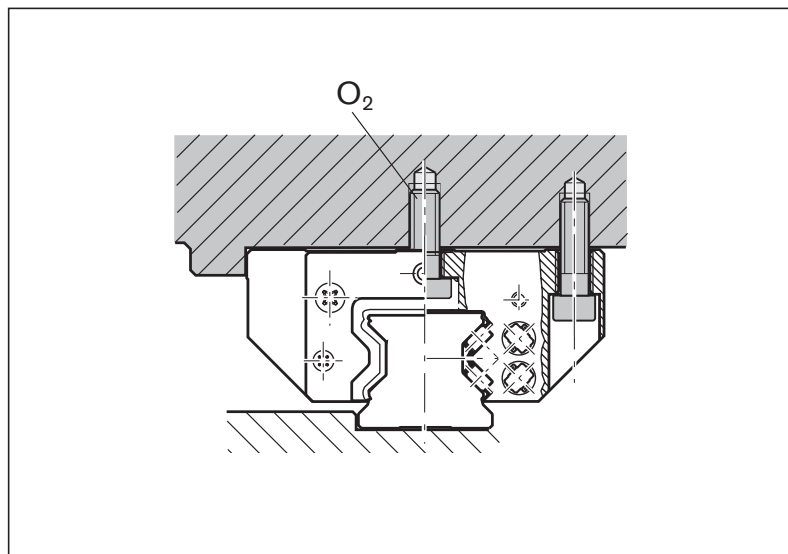


Fig. 58: Fitting attachments to runner blocks

Fixing the centerline O_2 (DIN 6912) screws in bottom-up mounting:

Use suitable lifting gear and a suitable worktop for the complete runner block assembly (runner blocks with attachment).

1. Carefully remove the runner block assembly in a straight line off the guide rails, sliding each runner block onto its mounting arbor. ➔ 5.6.
2. Tighten the centerline O_2 screws to the specified tightening torque. ➔ Fig. 14.
3. Sliding the runner block assembly onto the guide rail. ➔ 5.4.

Fig. 59: Fastening the centerline O_2 screws

5.4 Sliding the runner block assembly onto the guide rail

(for scenario 2 and 3)

1. Apply oil or grease to the sealing lips.
 - ➔ 5.1.
- ▶ Carefully slide the runner block assembly onto the guide rails. This will push the mounting arbors back out of the runner blocks.



Rolling elements may fall out! Do not remove the mounting arbors before sliding the runner blocks onto the guide rails!

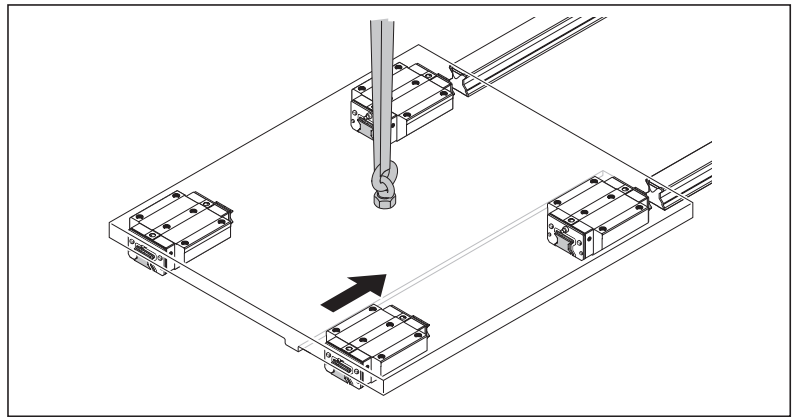


Fig. 60: Sliding-on the runner blocks

5.5 Securing the runner blocks

- ▶ If the recommended values for permitted lateral forces are exceeded, the runner block must be secured by additional reference edges or pins (see catalog).

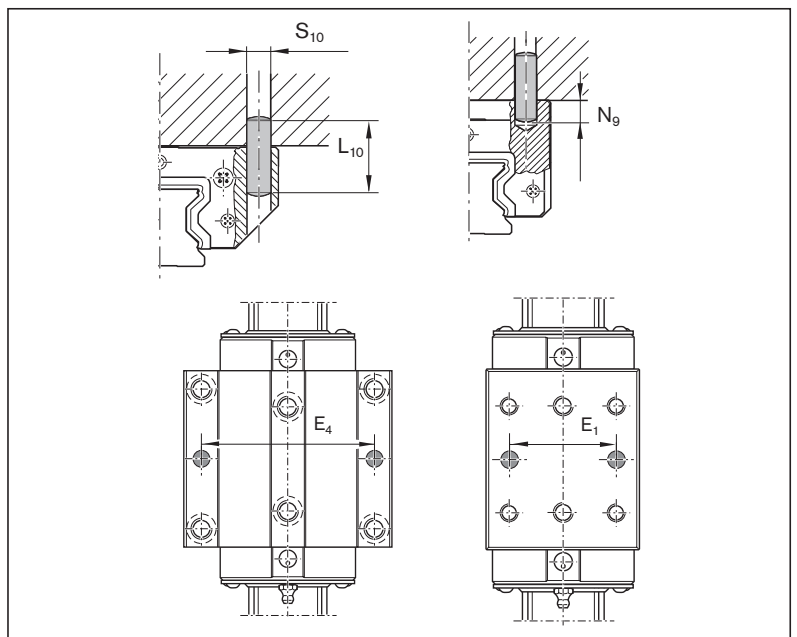


Fig. 61: Securing the runner blocks

5.6 Removing the runner block from the guide rail



Use the mounting arbors (1) when removing runner blocks from the guide rails.



The removed roller runner blocks must always remain on the mounting arbors! Otherwise, rolling elements may be lost!

- ▶ Carefully slide the runner blocks or the runner block assembly from the guide rails onto the mounting arbors.

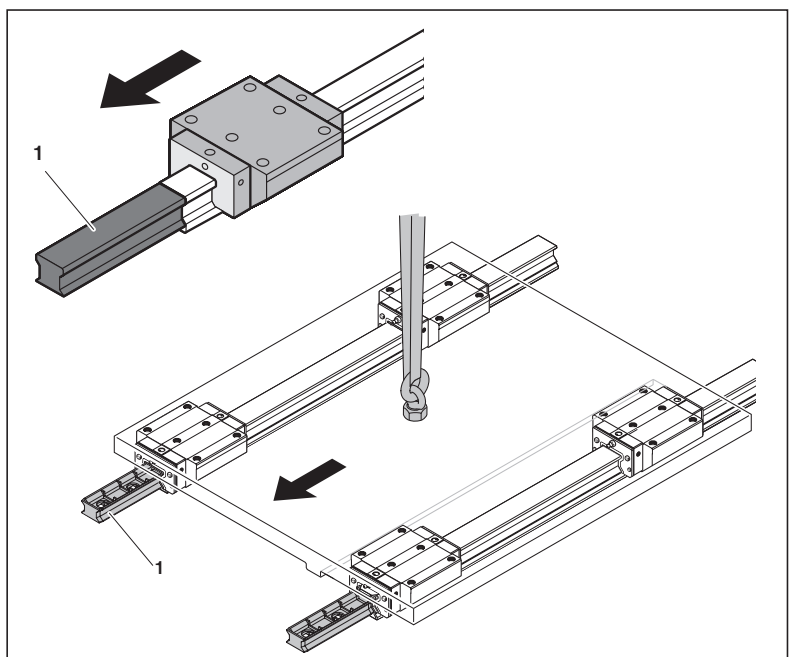


Fig. 62: Removing the runner blocks

5.6.1 Scenario 3: Bottom-up fastening of roller runner block (heavy duty runner block) to attachment, for spaces with restricted access

Consider the weight of the roller runner block ➔ 3.2.

i With the bottom-up fastening method, the roller block is first mounted to the attachment and the whole assembly then slid onto the roller rail.

i Do not remove the mounting arbor from the roller runner block! Holes are present in the mounting arbor to allow fastening of the centerline screws.

i Locating aids are recommended to facilitate fastening of heavy duty roller runner blocks. Produce the locating aids according to the specified dimensions.

1. Lay the attachment (1) on a solid worktop and clamp it securely in place (2) since the roller runner block screws will be tightened at high torque levels.
2. Clean the reference edges and contact areas.
3. Carefully place the roller runner block with its attachment mounting face downwards (mounting arbor visible) and align it precisely with the threads in the attachment.
4. Pre-assemble the screws but do not tighten them yet.
5. If required, press the roller runner block against the reference edge and mount additional lateral retention ➔ 5.3.
6. Press the locating aid into the mounting hole and insert a socket wrench through the locating aid into the head of the screw.
7. Tighten the screws to the specified tightening torque.
8. If necessary, use a torque multiplier.
9. Slide the roller runner block assembly (roller runner block with attachment) onto the guide rail. ➔ 5.4

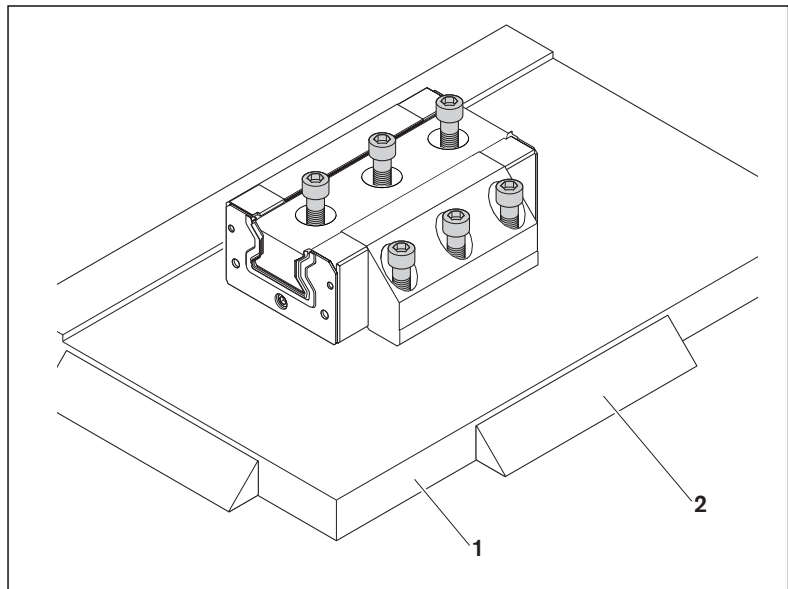


Fig. 63: Pre-mounting the heavy duty runner block

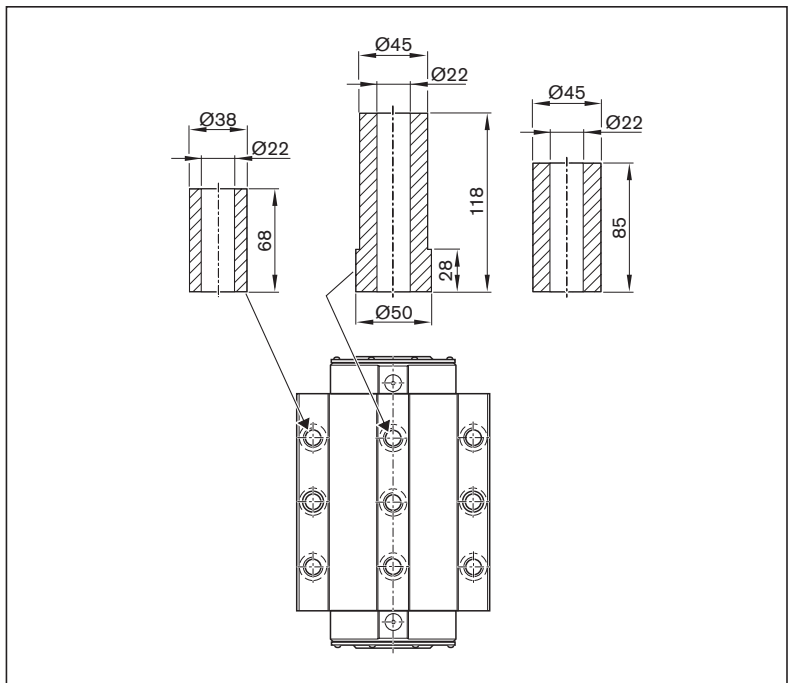


Fig. 64: Locating aid for heavy duty runner block

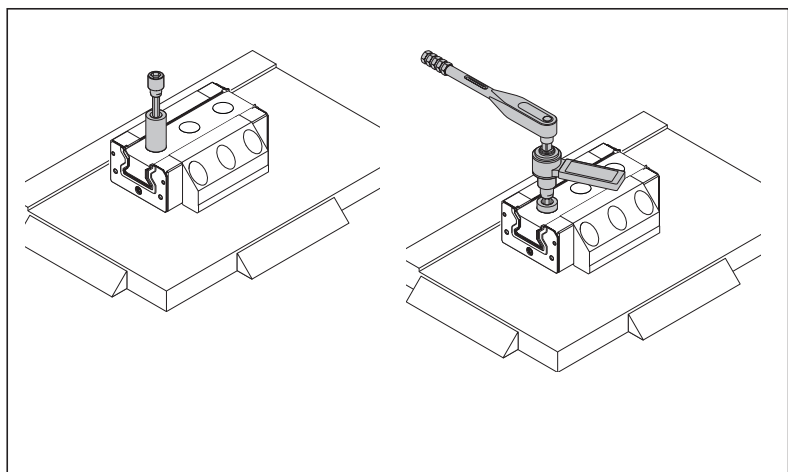



Fig. 65: Fastening the heavy duty runner block to the attachments (Scenario 3)

6 Mounting the MKS runner block

6.6.1 Preparing for mounting

 Do not remove the mounting arbor from the runner block. Otherwise, balls may be lost!

- ▶ Tap holes in the guided load for runner block mounting.
- ▶ Thoroughly clean mating surfaces for the runner blocks.
- ▶ Check heights of reference edges h_2 , corner radii r_2 , and supporting and reference surfaces.
- ▶ Select and line up screws ready for mounting the runner blocks onto the guided load.

6.6.2 Sliding on the runner blocks

1. Clean the guide rails.
2. To slide on the runner blocks, the end faces of the guide rails must be chamfered and free from burrs (1).
3. Slide on runner blocks only over Rail Seal ends pre-fabricated (2) at the factory, not over ends which you have machined or cut to length yourself!
4. At one end of the guide rail, the Rail Seal will be flush with the end face (3). Slide the runner block on at this end!
5. Position the runner block with the mounting arbor still inserted at the head of the guide rail.
6. Carefully slide the runner block onto the guide rail (4). This will push the mounting arbor out of the runner block.
7. Keep the mounting arbor for later use!
8. Check the parallelism. ➔ 4.6
9. Check vertical offset. ➔ 4.7

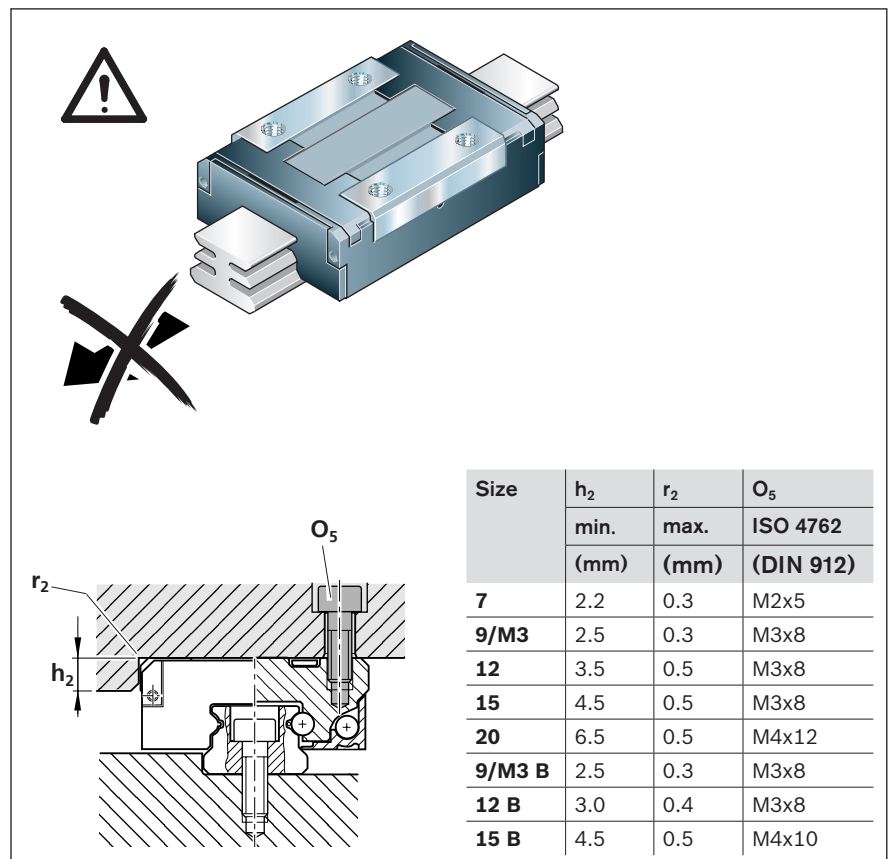


Fig. 66: Preparations for mounting the MKS

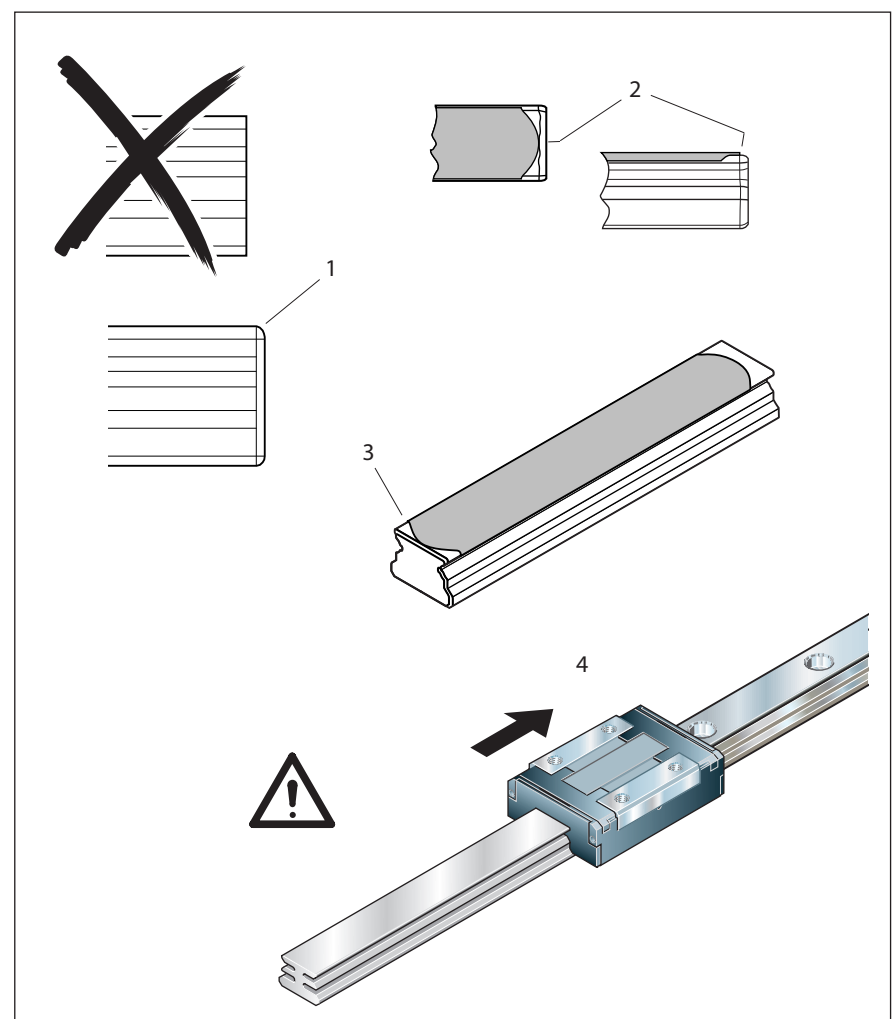


Fig. 67: Sliding on the MKS runner blocks

6.6.3 Fixing the runner blocks

1. Position and press reference edge (1) of the guided load (2) against the reference edges (3) of all the runner blocks on the one guide rail (4).
2. Tighten screws (5) to tightening torque M_A .
3. Fix all the runner blocks (6) on the second guide rail (7), tightening screws to torque M_A .

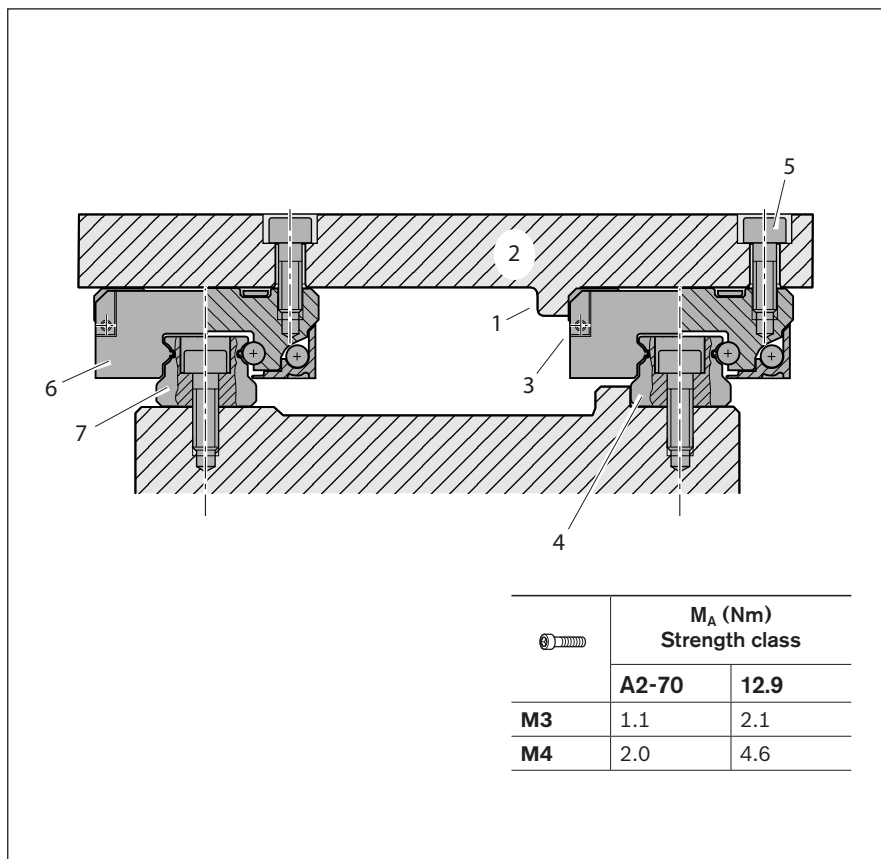



Fig. 68: Fitting the MKS runner blocks

6.6.4 Removing the runner blocks

 Never remove a runner block from the guide rail without using its mounting arbor. Otherwise, balls may be lost!

1. Position the mounting arbor at the head of the guide rail.
2. Carefully slide the runner block off the rail and onto the mounting arbor.

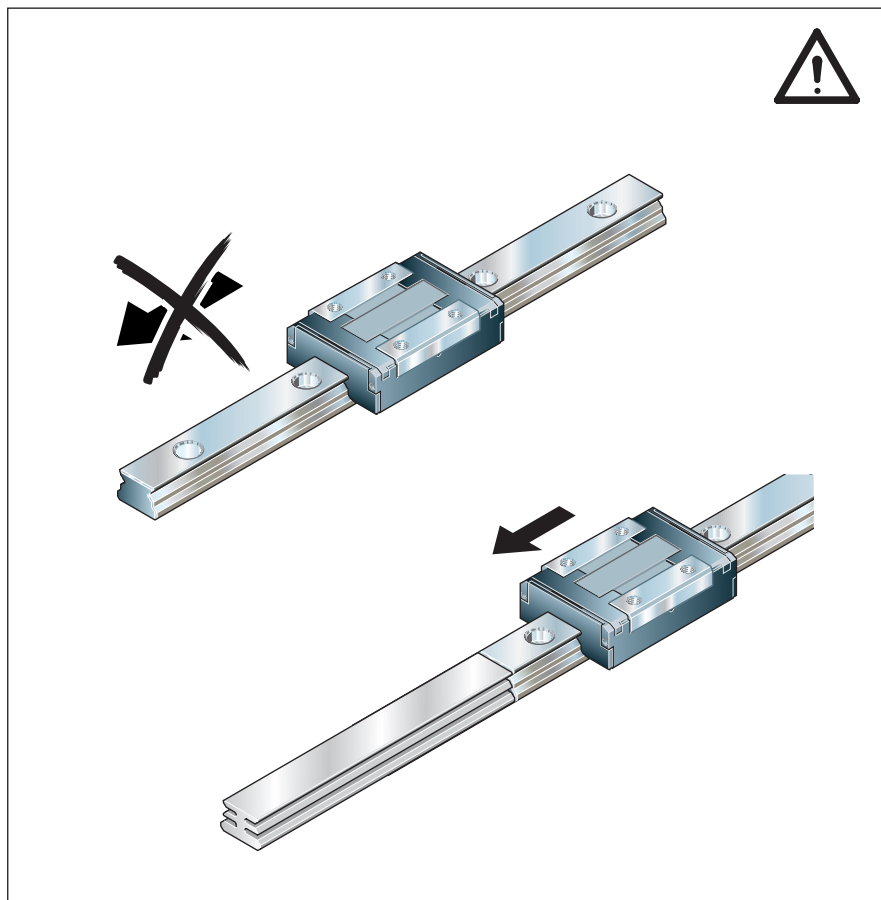




Fig. 69: Removing the MKS runner blocks

6.6.5 Mounting cover strip for MKS


- ▶ Thoroughly clean the mounting base and the surrounding work area.
- ▶ Thoroughly clean the guide rails.

- ▶ If necessary, re-oil the rail surface to preserve it (1).

 Risk of injury! The Rail Seal has sharp edges. Wear gloves!

 Do not bend the Rail Seal! Bend Rail Seals must not be used.

1. Carefully remove the Rail Seal from its packaging (2) and lay it down flat on a clean surface.
2. When mounting the rail seal, start at the end of the rail where the runner block is to be slid on!
3. Position the Rail Seal at the rounded rail end (3).
4. Clip on the first 20 to 50 mm (4). Check that the seal fits snugly.
5. Smooth the Rail Seal down along the guide rail. Both edges must snap into the grooves on either side of the rail (5).

 Check that the seal sits tight all along the rail!

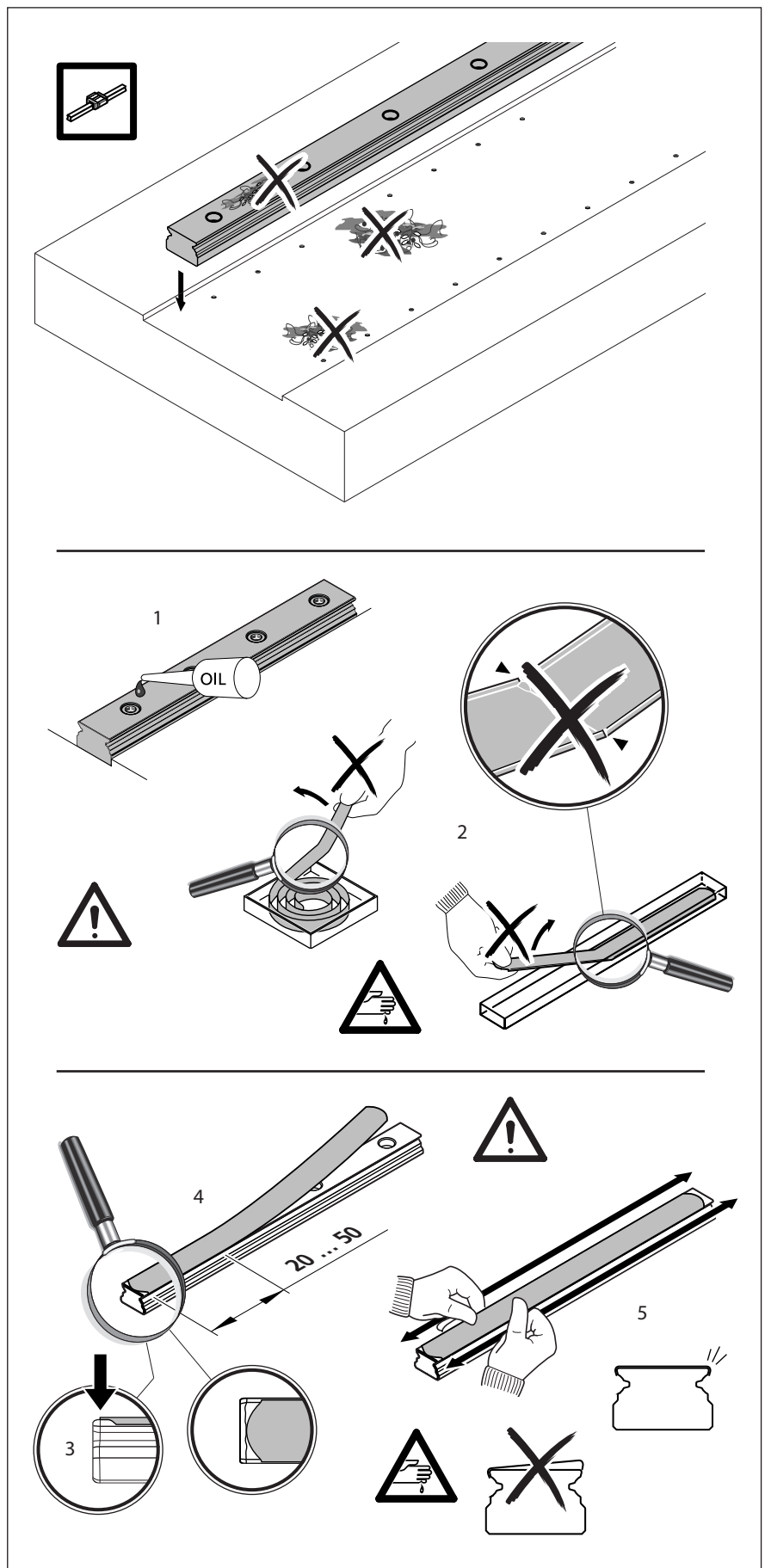


Fig. 70: Mounting cover strip for MKS

6.1 Mounting the accessories

Mounting the N-seals for sizes 7, 9/M2, 9/M3, 12

1. Do not remove the runner block from its arbor (1), but simply shift it slightly.
2. Use a screwdriver to lever off the red-brown L-seals (2) at both ends. Recycle the seals.
3. Lay the black N-seals (3) down flat.
4. Position the runner block on the seal from above and press it down into place.

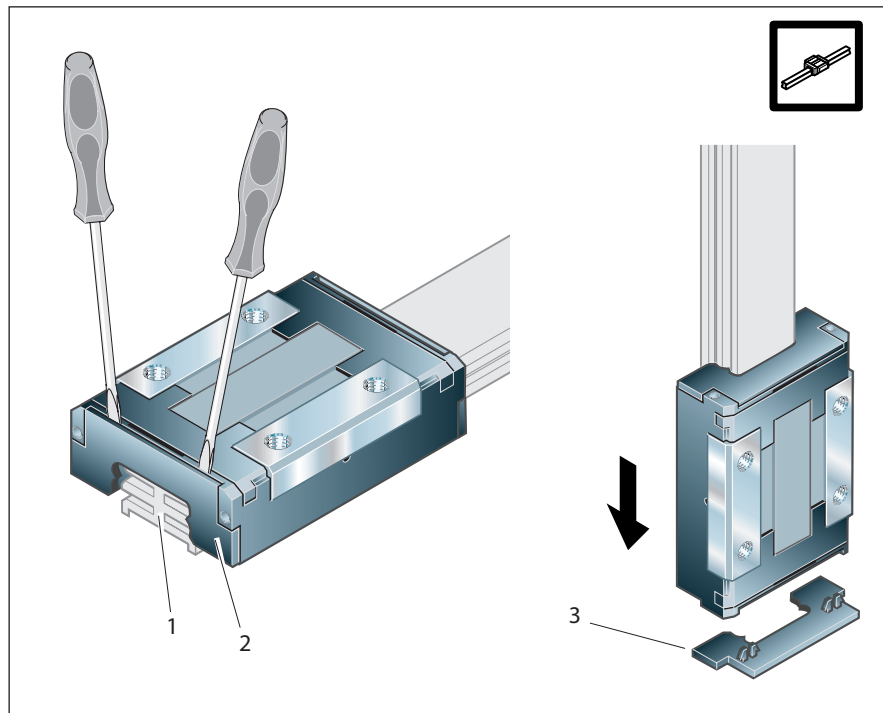


Fig. 71: Mounting the N-seals for sizes 7, 9/M2, 9/M3, 12

Mounting the N-seals and longitudinal seals for sizes 15, 20, 9/M3 B, 12 B, 15 B

1. Do not remove the runner block from its arbor (1), but simply shift it slightly.
2. Use a screwdriver to lever off the red-brown L-seals (2) at both ends. Recycle the seals.
3. Align the longitudinal seals (3) with the runner block. The sealing lips (4) must point inward.

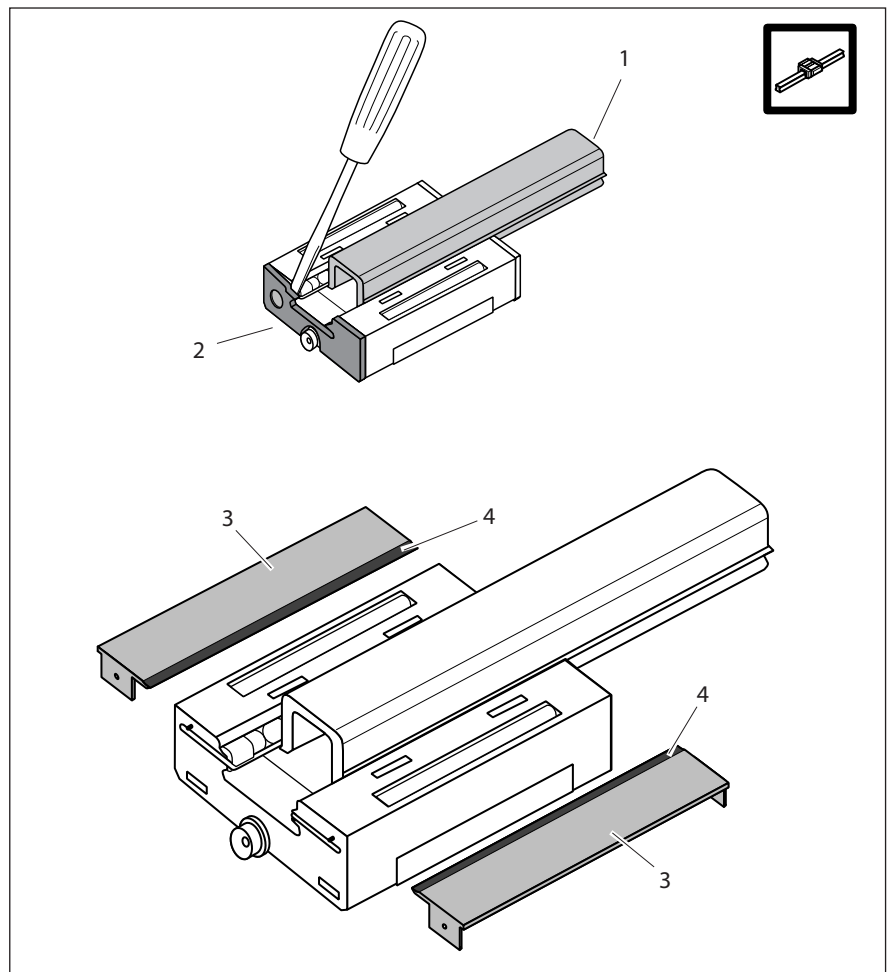
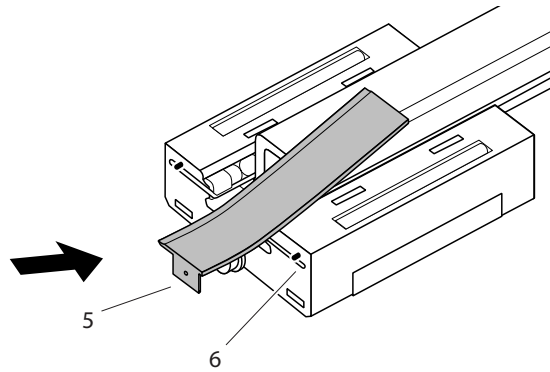
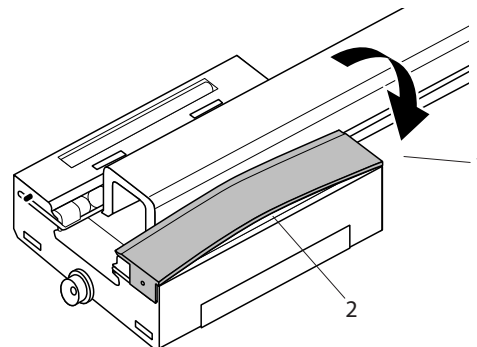



Fig. 72: Mounting the N-seals and longitudinal seals for sizes 15, 20, 9/M3 B, 12 B, 15 B

- ▶ Press the tab of the first side sealing strip against the runner block so that the hole (5) snaps into place around the stud (6).

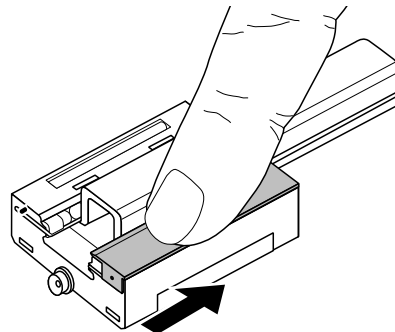


- ▶ Press down the tab at the other end of the side sealing strip (1) so that the hole snaps into place around the stud on the runner block.



 The longitudinal seal is not yet flush with the runner block. It has a slight bulge (2).

- ▶ Smooth the longitudinal seal down until you feel the studs on its under-side engage with the runner block.
- ▶ Mount the second longitudinal seal.



- ▶ Align the black N-seals with the runner block ends and press them into place.

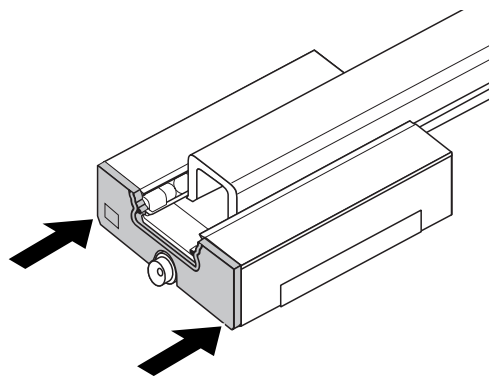


Fig. 73: Continued: Mounting the N-seals and longitudinal seals for sizes 15, 20, 9/M3 B, 12 B, 15 B

7 BSHP, RSHP accessories

Extensive accessories are available for the runner blocks/guide rails. A complete overview and detailed information can be found in the relevant catalog. A mounting guide is enclosed with every accessory part which includes detailed information on mounting.

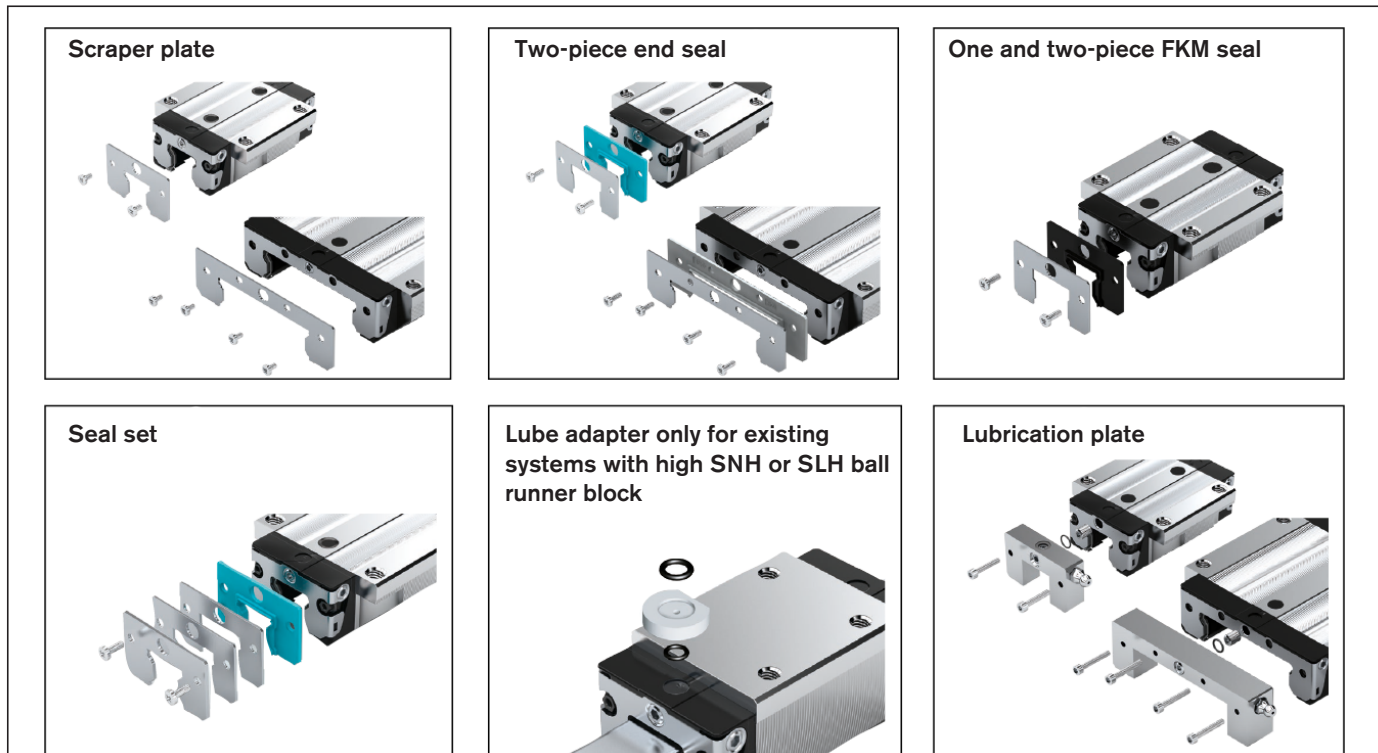


Fig. 74: Runner block accessories (examples)

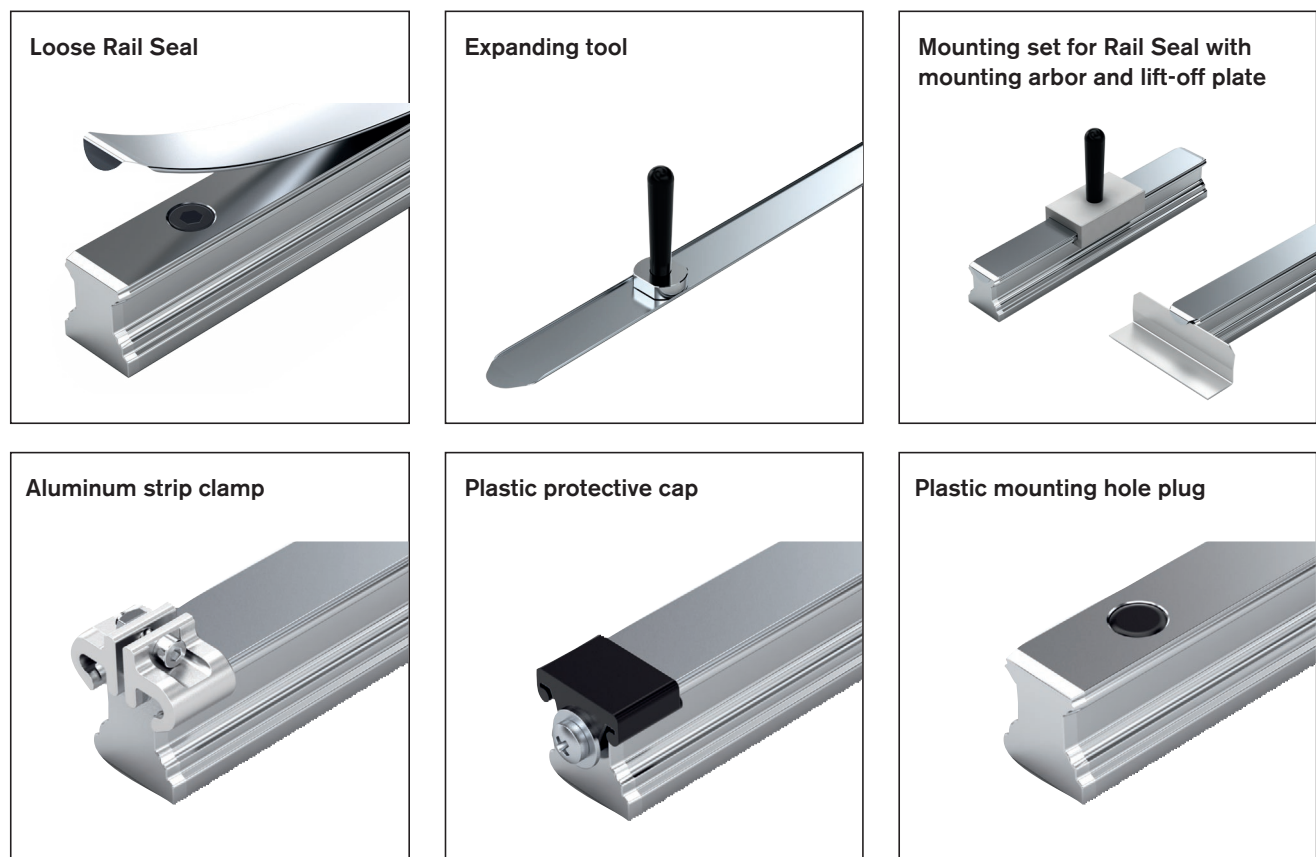


Fig. 75: Guide rail accessories (examples)

8 Mounting cam roller guides

8.1 Mounting the guide rails

Observe sections 3.1 and 4.1

⚠ WARNING

Excessively high loads and moments may cause the limits for screw connections to be exceeded.

Risk of injury or death due to falling rail system.

- ▶ Screw connections must be recalculated and verified during design calculations. See catalog.

8.1.1 Mounting the guide rails with mounting holes

☞ If the permissible load for standard guide rails R1921- is reached (see catalog), install washers to DIN 433.

1. Make thread or drill holes
2. in the supporting structure to mount the guide rails.
3. If a reference edge (3) is available, line up guide rail.
4. Otherwise, tighten screws (7) lightly, align guide rail.
5. Tighten screws (7) or (8) to tightening torque M_A .

8.1.2 Mounting the LRF guide rails with T-slot

☞ The washers are also supplied.

1. Make drill holes in the supporting structure to mount the guide rails.
2. Insert washers (1) with screws (2) into the slot.
3. If a reference edge (3) is available, line up guide rail.
4. Otherwise, tighten nuts (4) lightly, align guide rail.
5. Tighten nuts (4) or (5) to tightening torque M_A .

Parallelism

- ▶ Check the parallelism ➞ Fig. 77

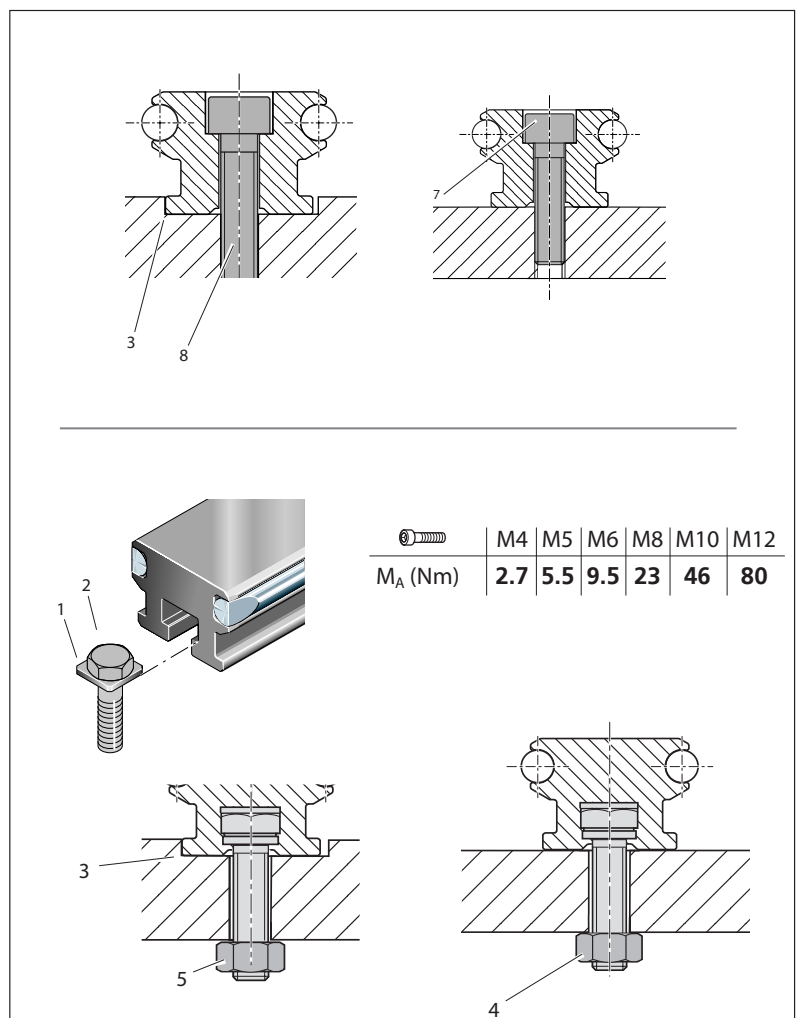


Fig. 76: Mounting the LRF guide rail/guide rail with T-slot

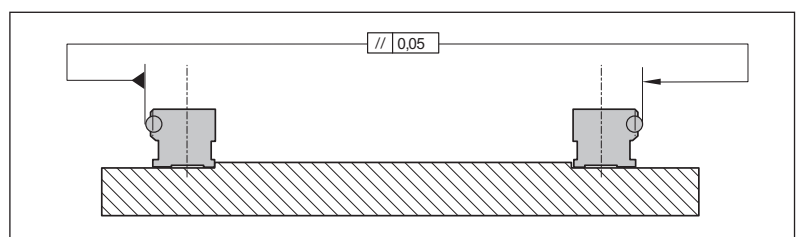


Fig. 77: Checking the parallelism of the guide rails

8.1.3 Installing the plastic mounting hole plugs

- ▶ Drive in plastic mounting hole plugs (10) flush with surface with the aid of a plastic pad (9).

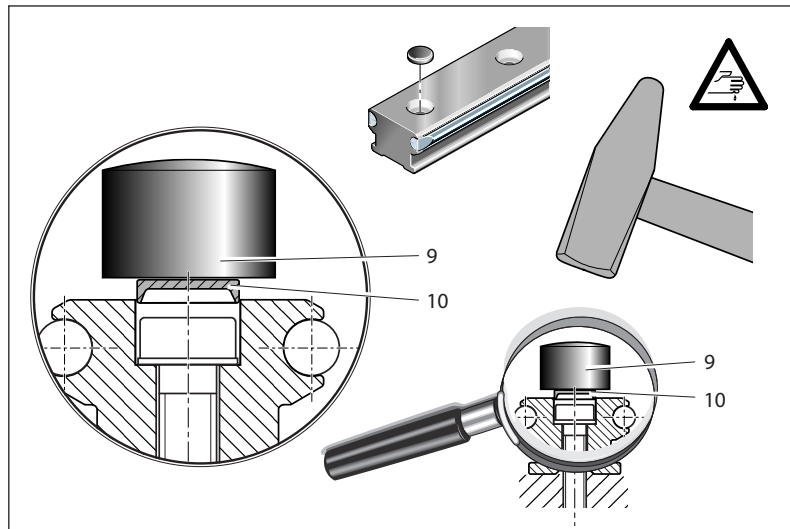
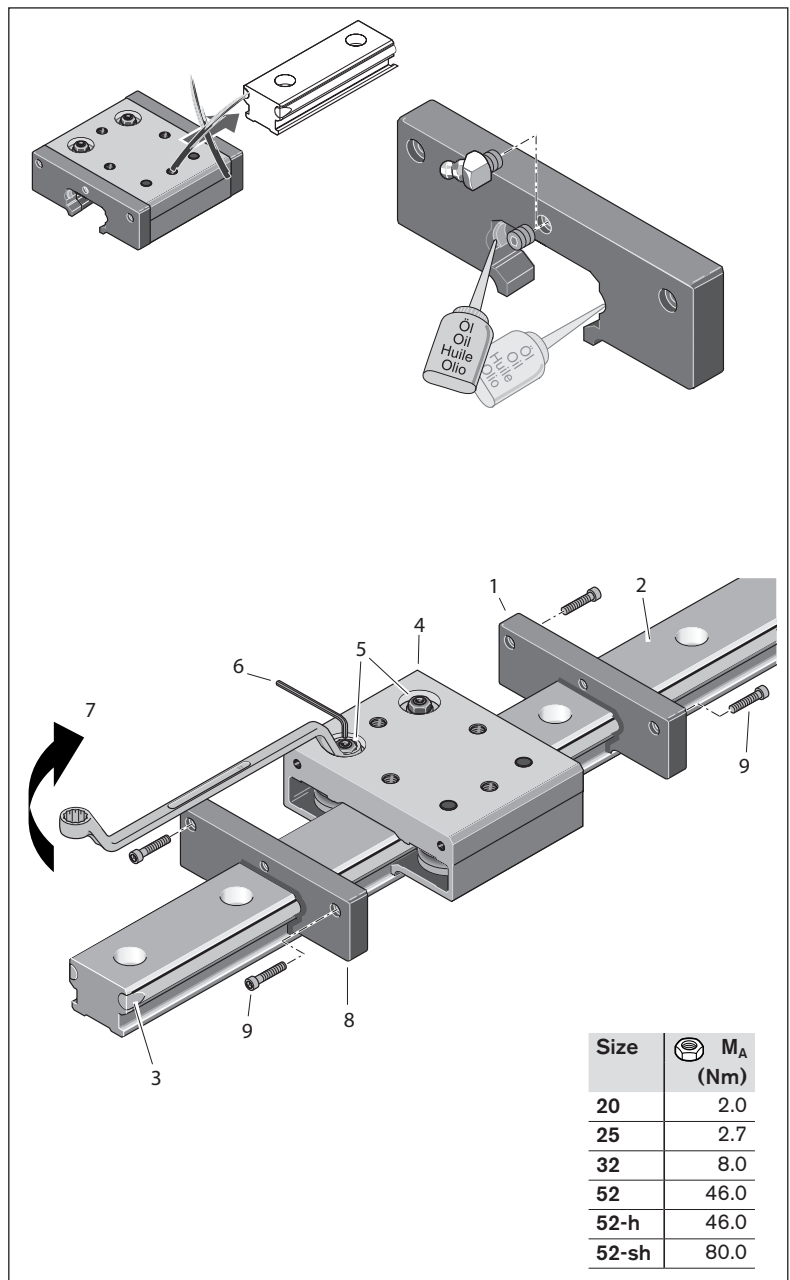


Fig. 78: Installing the plastic mounting hole plugs

8.2 Mounting the standard runner blocks and super runner blocks

⚠ Donot sliderunnerblocksontothe guiderail with oiling units already mounted.

1. Apply oil to the felt wiper strips.
2. Slide first oiling unit (1) onto the guide rail (2). The oil-applying and felt wiper strips are automatically pressed in by the bevels (3) of the steel shafts.
3. Carefully slide on runner block (4).
4. Using the hexagon socket wrench (6), adjust the eccentrically mounted cam rollers (5) to zero clearance against the guide rail.
5. Apply counterpressure to cam roller spigot (6) and tighten hexagon nuts to tightening torque M_A (7) .



⚠ If the runner block will not move easily, loosen hexagonal nuts again and re-adjust cam rollers (5).

1. Slide on second oiling unit (8).
2. Screw both oiling units onto the runner block (9). Tightening torque: 1 Nm; for size 52: 4 Nm.


Size	 M_A (Nm)
20	2.0
25	2.7
32	8.0
52	46.0
52-h	46.0
52-sh	80.0

Fig. 79: Mounting standard and super runner blocks

Mounting the guided load on the runner block:

- ▶ Observe minimum material thickness N .
- ▶ Line up appropriate screws ready for mounting.

! On no account use excessively long screws!

1. Align guided load.
2. Tighten screws to tightening torque M_A .

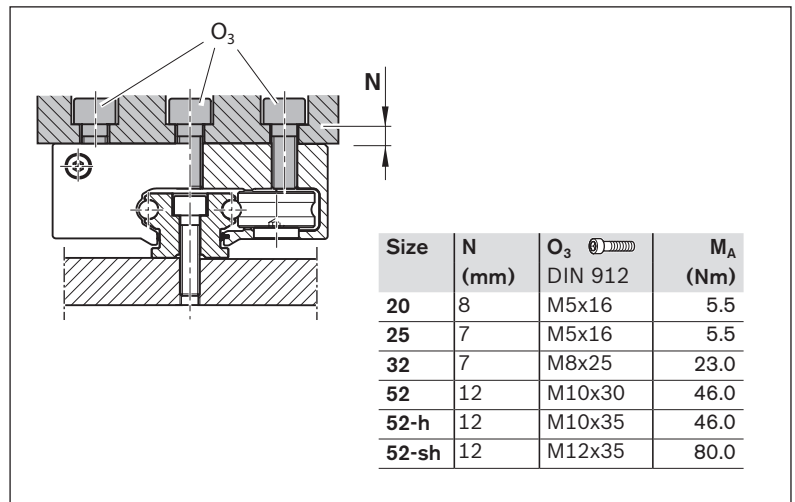



Fig. 80: Mounting the guided load on standard and super runner blocks

8.3 Mounting the profiled runner block

 The runner block is adjusted to zero clearance before leaving the factory.

- ▶ Push on runner block carefully.

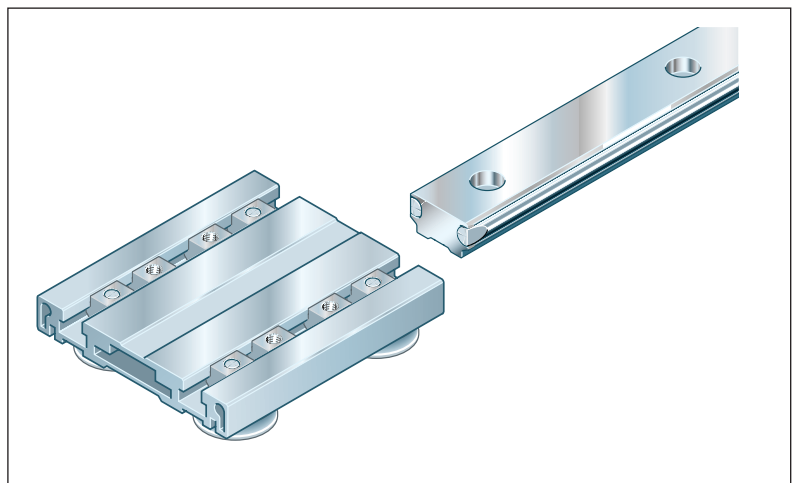


Fig. 81: Mounting profiled runner blocks

Mounting the guided load on the runner block:

- ▶ Observe minimum material thickness $N = 7$.
- ▶ Line up appropriate screws M8 ready for mounting.

! On no account use excessively long screws!

1. Align guided load.
2. Tighten screws to tightening torque $M_A = 23 \text{ Nm}$.

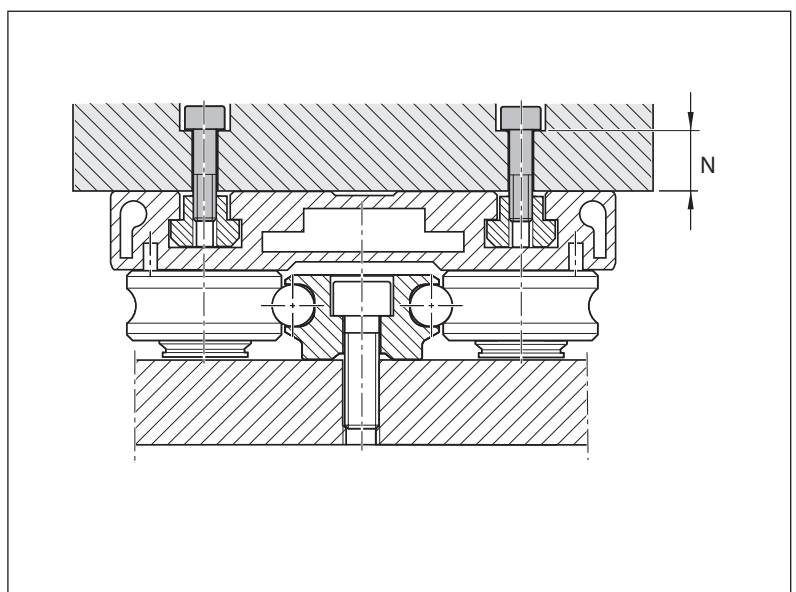


Fig. 82: Mounting the guided load on profiled runner blocks

8.4 Mounting U-type runner blocks

- ▶ Apply oil to the felt wiper strips.
- ▶ Carefully insert one end of the runner block at an angle into the guide rail and straighten it up. Do not damage felt wiper strips!

1. During insertion, press felt wiper strips at the other end of the runner block together slightly, using fingers. Do not damage the felt wiper strips at the ends of the steel shafts!
2. Using the hexagon socket wrench (2), adjust the eccentrically mounted cam roller (1) to zero clearance against the guide rail.
3. Apply counterpressure to the cam roller spigot (2) and tighten hexagon nut to 2 Nm (3).

⚠ If the runner block will not move easily, loosen hexagonal nuts again and re-adjust cam rollers (1).

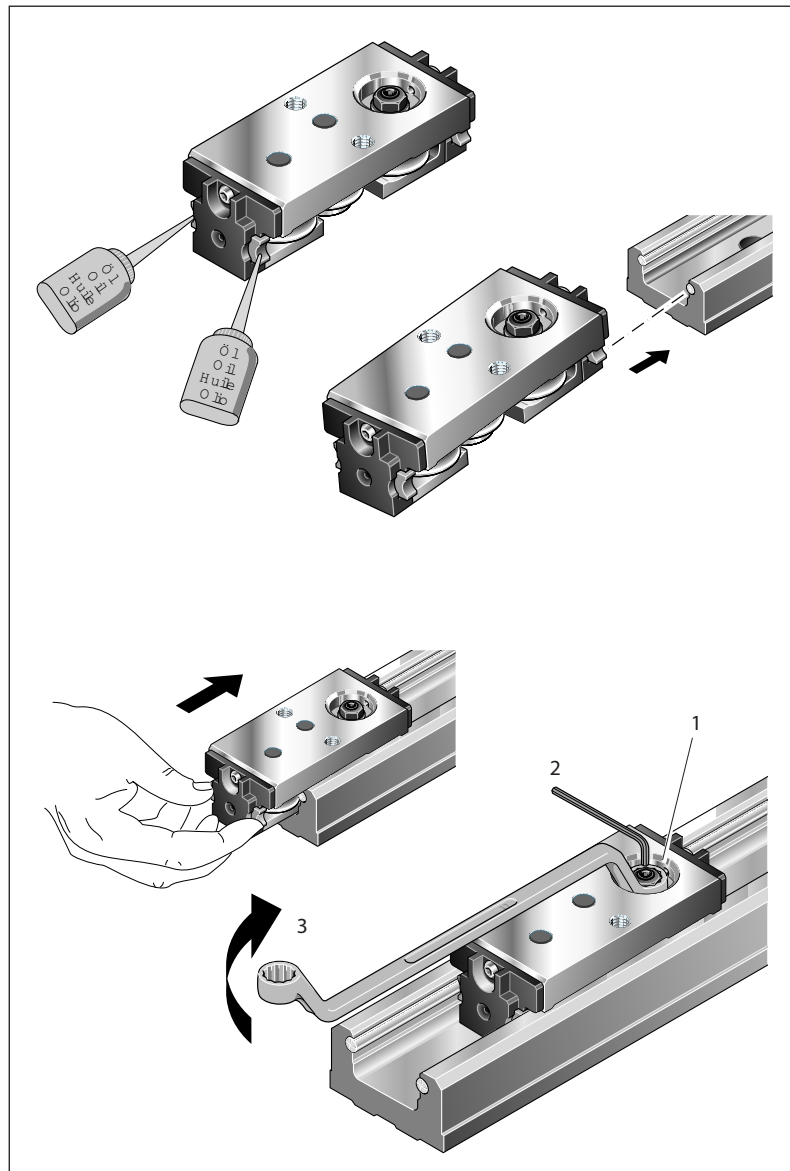


Fig. 83: Mounting the U-type runner block

Mounting the guided load on the runner block:

- ▶ Observe minimum material thickness $N = 5 \text{ mm}$.
- ▶ Line up appropriate screws M5 ready for mounting.

⚠ On no account use excessively long screws!

1. Align guided load.
2. Tighten screws to tightening torque 5.5 Nm.

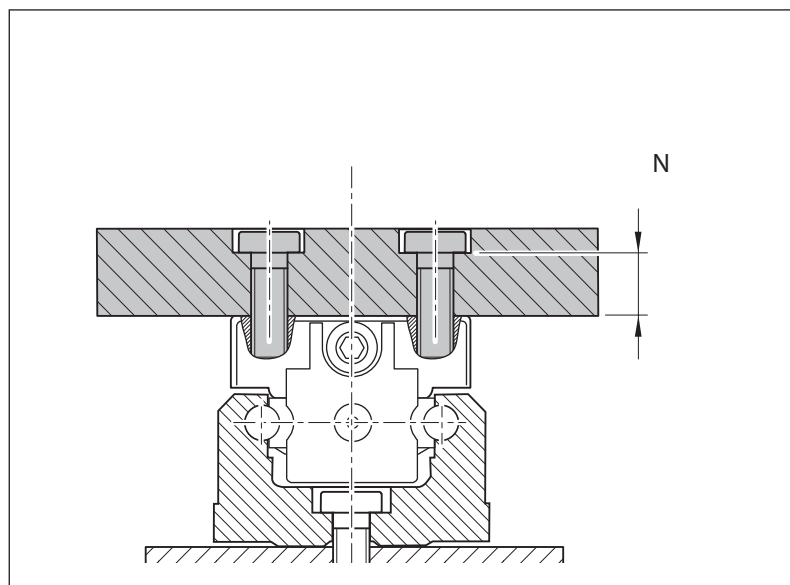


Fig. 84: Mounting the guided load on the U-type runner block

8.5 Mounting the single/ double bearing runner blocks

Mounting the standard bearing runner blocks

1. Mount the guide rails. See section 3.
2. Turn adjusting screws (1) of the runner blocks for one carriage side into neutral position, and screw down completely for the other carriage side (2).
3. Preassemble runner blocks on the carriage. Use washers. Do not tighten screws.
4. Using adjusting screws, line up runner blocks flush with one another in neutral position (3) on one carriage side and tighten mounting screws (4) alternately until they are all at tightening torque M_A .
5. Slide carriage (5) onto the rails (6).
6. Adjust runner blocks on the other carriage side (7) to zero clearance against the guide rail by turning the adjusting screws (8) clockwise. Adjust preload.
7. Tighten mounting screws (9) alternately until they are all at tightening torque M_A .
8. Finally, retighten the adjusting screws of all the runner blocks slightly in clockwise direction.

Start-up ➔ 8.7

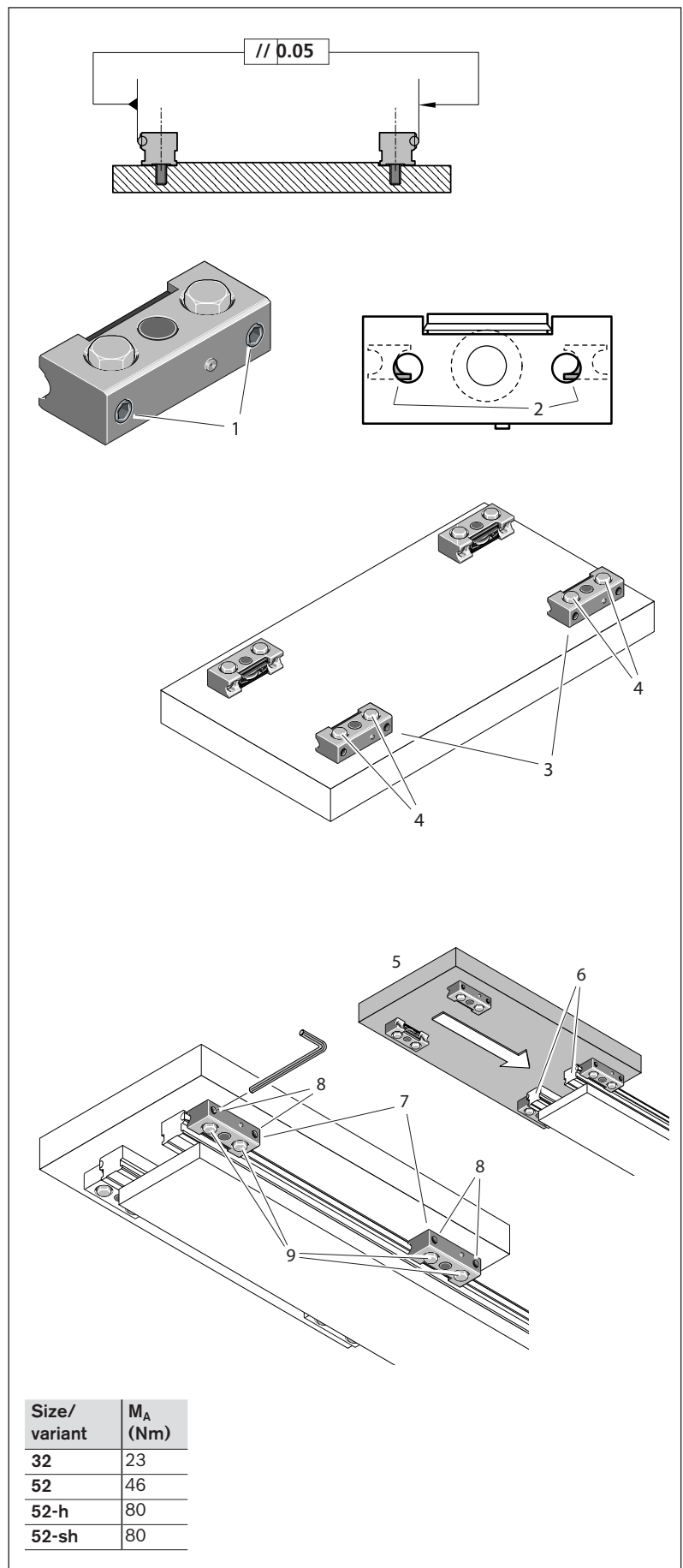


Fig. 85: Mounting the standard bearing runner blocks

Mounting the single/double bearing runner blocks for the profiled system

Mounting scenarios

I longitudinally in profile slot with anchor strips



II transversally in profile slot with anchor strips

III transversally in profile slot with slot blocks

☞ If double bearing runner block AS-52-h is mounted transversally onto the 40x200 profile, the center mounting hole cannot be used.

Preassembly

1. Mount the guide rails \Rightarrow 8.1
2. Select suitable profile (1) for the carriage or construct frame (2) from profiles.
3. Push anchor strips (3) or slot blocks (4) into the profile slots, align and fix in place with set screws (5). Tightening torque = 3 Nm. At least two set screws are required for anchor strips of more than 120 mm in length.
4. Turn adjusting screws (6) of the runner blocks for one carriage side into neutral position, and screw down completely for the other carriage side (7).
5. Preassemble runner blocks on the carriage. Use washers (8). Do not tighten screws (9) or nuts (10).
6. With adjusting screws in neutral position on one carriage side (1), line up runner blocks until their outer surfaces are flush with one another.
7. Tighten mounting screws and nuts alternately until they are all at tightening torque M_A .

Size		AS 32	AS 52-h
M_A (Nm)		23	23
		16	23

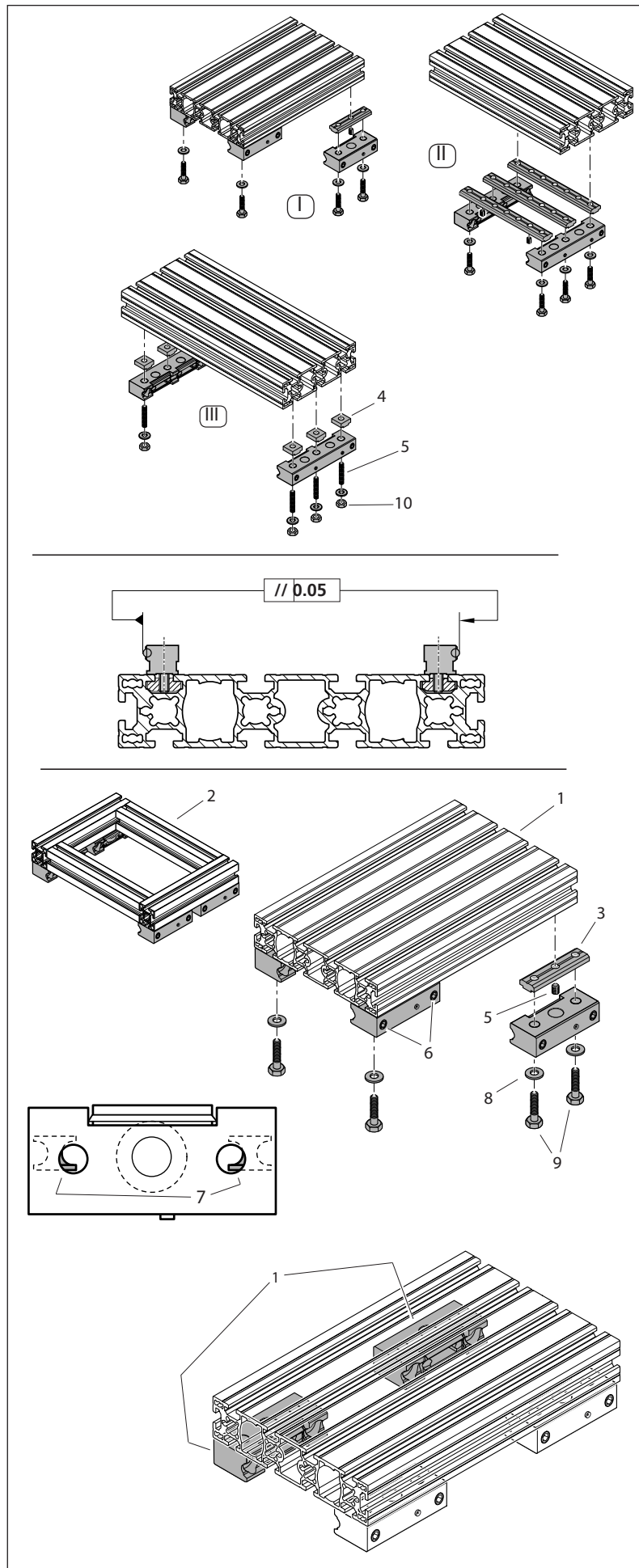
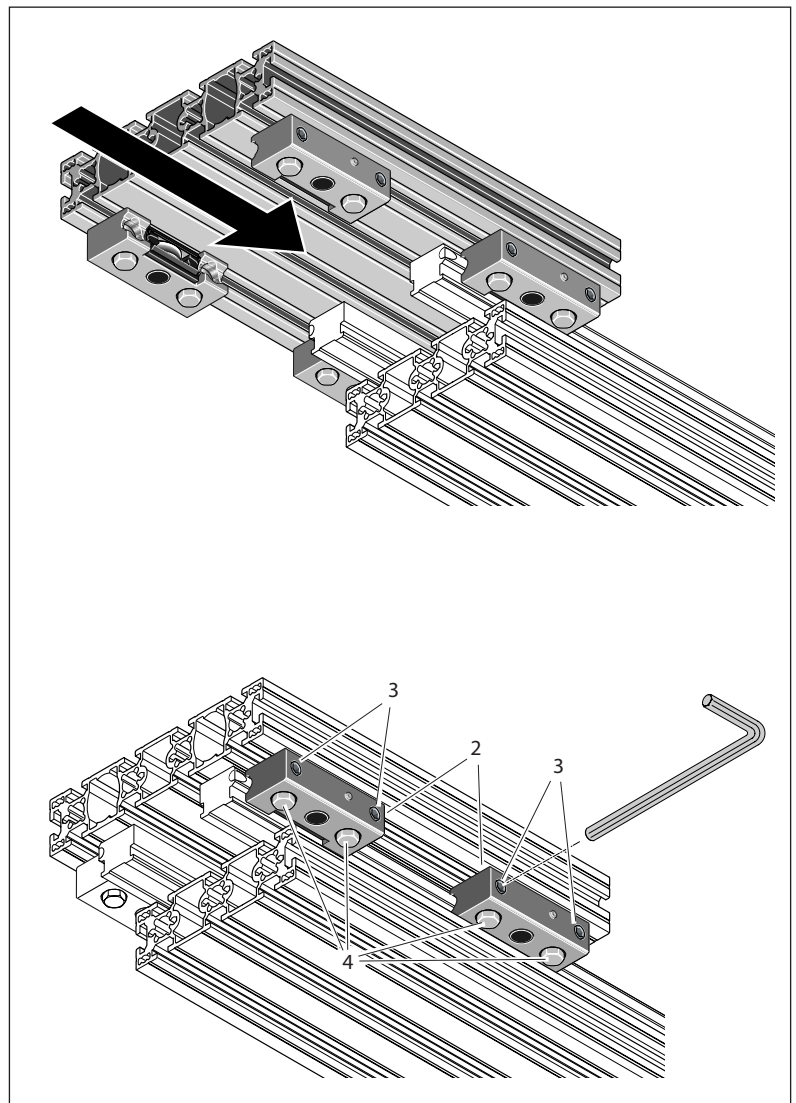


Fig. 86: Final assembly of bearing runner blocks for profiled system

Final assembly

1. Slide carriage onto the rails.
2. Adjust runner blocks on the other carriage side (2) to zero clearance against the guide rail by turning the adjusting screws (3) clockwise. Adjust preload.
3. Tighten mounting screws (4) and nuts alternately until they are all at tightening torque M_A .
4. Finally, retighten the adjusting screws of all the runner blocks slightly in clockwise direction.

Start-up ➔ 8.7**Fig. 87: Final mounting of bearing runner blocks for profiled system**

8.6 Mounting the cam rollers with spigot

Cam rollers with eccentric and central spigots are supplied individually for mounting in customer-built carriages.

☞ Standard guide rails, low-profile guide rails and guide rails with T-slot can be used.

▶ Drill mounting holes with dimensions D_5 , D_7 , D_8 , E_3 , H_8 in the carriage.

Cam rollers with central spigot

▶ Screw in cam roller to tightening torque M_{Ace} .

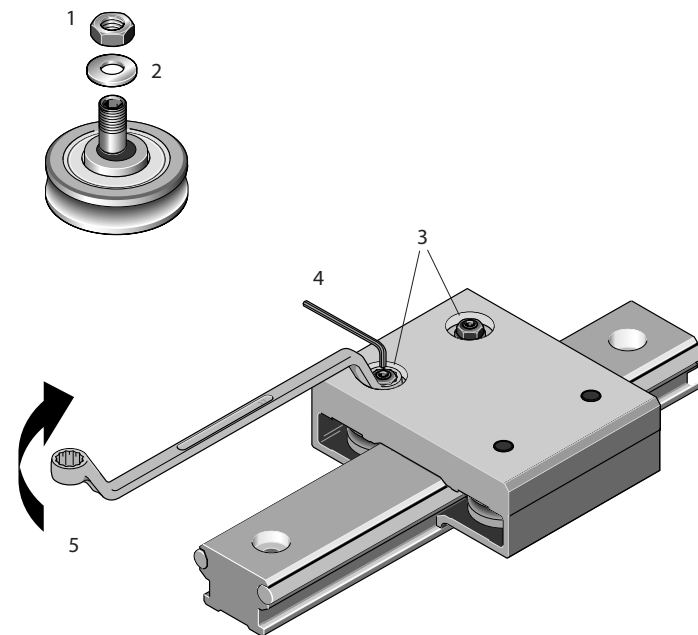
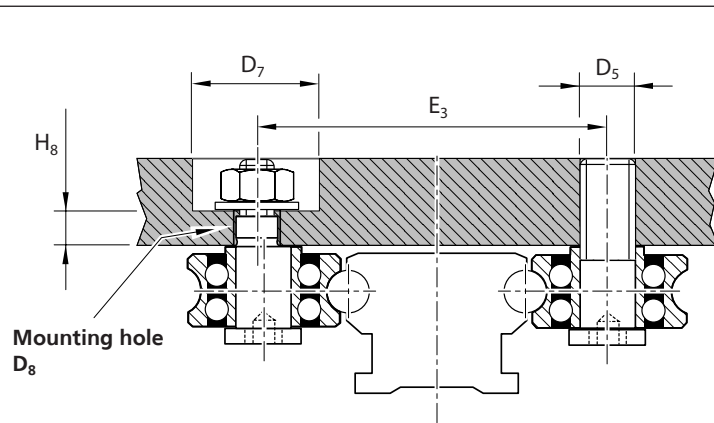
Cam rollers with eccentric spigot

Cam rollers with eccentric spigot are supplied complete with a nut (1) and washer (2).

▶ Using the hexagon socket wrench (4), adjust the eccentrically mounted cam rollers (3) to zero clearance against the guide rail.

▶ Apply counterpressure to cam roller spigot (4) and tighten hexagon nuts to tightening torque M_{Aex} (5).

⚠ If the runner block will not move easily, loosen hexagonal nuts again and re-adjust cam rollers (3).





Size/ variant	D_5	D_7	D_8	$E_3 \pm 0.2$	H_8	M_{Ace}  (Nm)	M_{Aex}  (Nm)
20	M5	15	4	33.8	3.0	5.5	2.0
25	M5	15	4	39.8	3.6	5.5	2.7
32	M8	18	6	54.0	5.5	23.0	8.0
52	M10	30	10	83.3	7.3	46.0	46.0
52-h	M12	30	40	90.0	11.8	80.0	46.0
52-sh	M12	34	12	95.0	9.3	80.0	80.0

Fig. 88: Mounting the cam rollers with spigot

8.7 Start-up

8.7.1 Starting up the runner blocks

- ▶ If necessary, clean guide rails.
- ▶ If no oiling units are installed, lubricate guide rails.
- ▶ Use oils with a viscosity of about 680 mm²/s at 40 °C.
- ▶ Fill oil reservoirs (1) at both ends of the runner block until excess oil emerges.
- ▶ Apply oil to all lubricating and felt wiper strips (2).

8.7.2 Starting up the single/double bearing runner blocks

- ▶ If necessary, clean guide rails.
- ⚠ Do not use greases containing solid particle lubricants (e.g. graphite or MoS₂)!
- ▶ Use lubricating greases to DIN 51825 - K2K.
- ▶ Lubricate runner blocks with grease until excess emerges (3). For double bearing runner blocks, use both lube nipples (4).

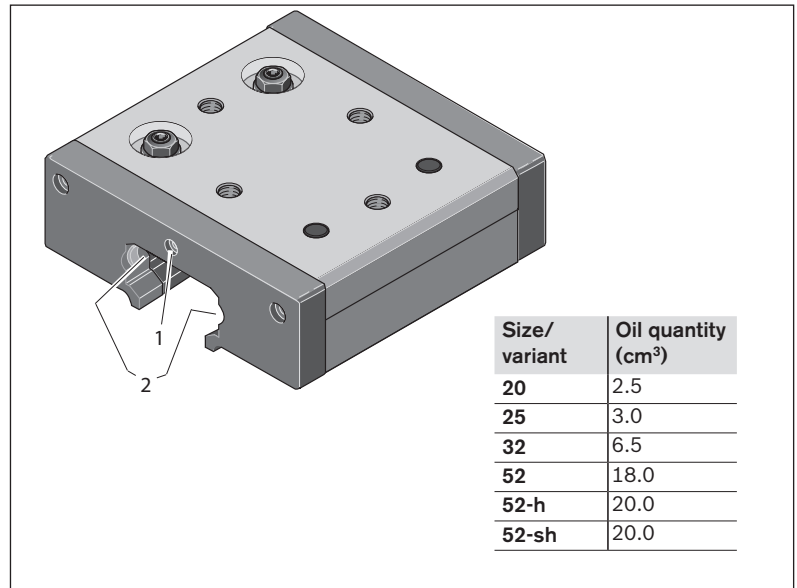


Fig. 89: Starting up the standard and super runner blocks

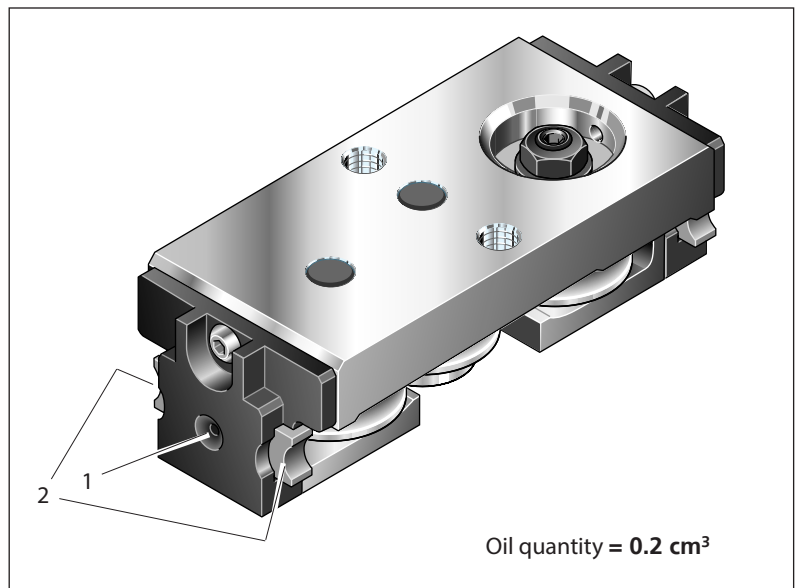


Fig. 90: Starting up the U-type runner blocks

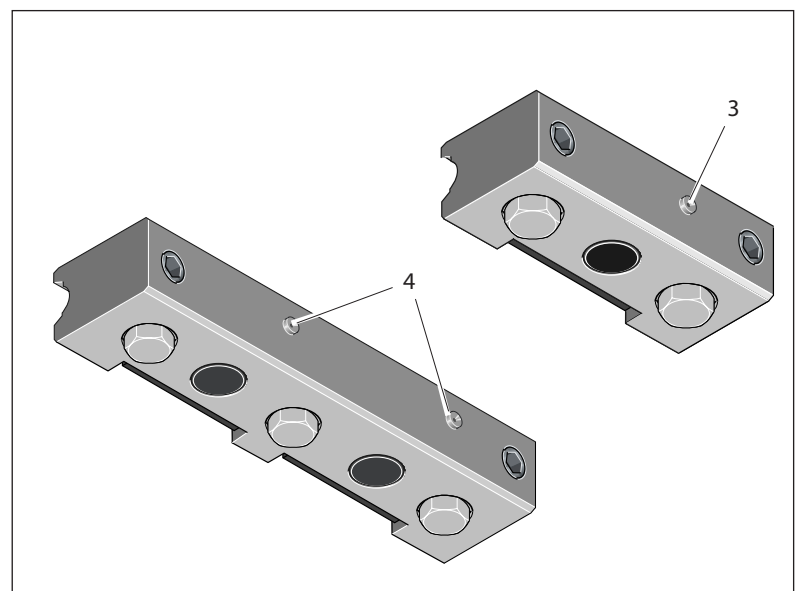


Fig. 91: Starting up the single/double bearing runner blocks

8.8 Maintenance

Maintenance-free components

The angular contact thrust ball bearings of the cam rollers are sealed and lubricated for life.

All steel parts are coated with preservative oil. It is not necessary to remove this oil provided the recommended lubricants are used.

Lubricants

- ▶ For Standard runner blocks, Super runner blocks and U-type runner blocks, use oils with a viscosity of about 680 mm²/s at 40 °C.

⚠ Do not use greases containing solid particles (e.g., graphite or MoS₂)!

- ▶ For single/double bearing runner blocks, use lubricating grease to DIN 51825 - K2K.

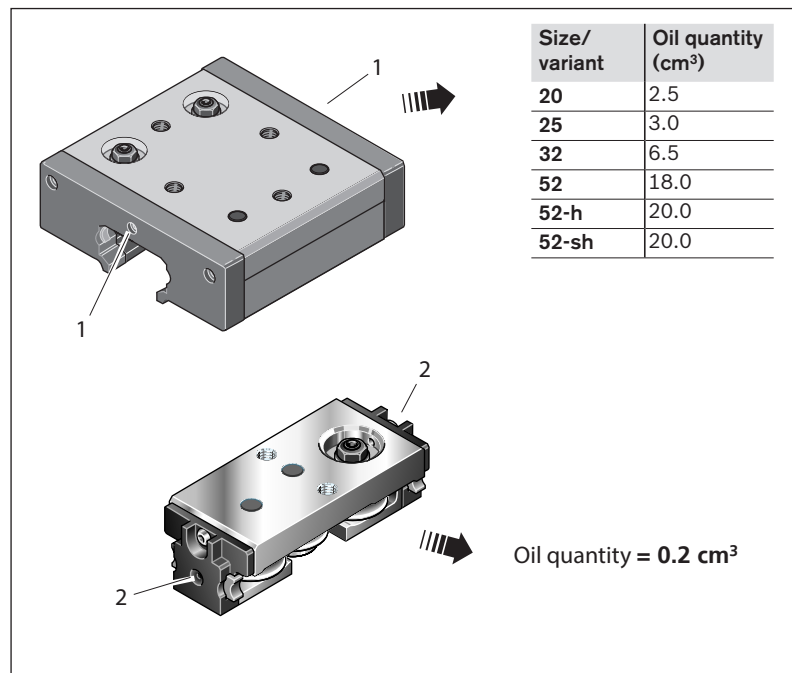


Fig. 92: Maintenance of standard and super runner blocks/U-type runner blocks

Operating conditions, lubrication intervals, lubricant quantities

The lubricating intervals depend on the operating conditions and environmental influences. Standard runner blocks and Super runner blocks that have two oiling units with large oil reservoirs achieve up to 15 · 10⁵ m travel.

- ▶ See tables for lubricant quantities.

Lube fittings

Standard runner blocks (1):

Sizes 20 - 32:

Funnel-type lube nipple, type B, M3

Size 52: BM 6 DIN 71412

Super runner blocks:

Funnel-type lube nipple, type B, M3

U-type runner blocks (2):

funnel-type lube hole, outer diameter = 4

Single/double bearing runner blocks (3):

Funnel-type lube nipple Ø 3

Special features

- ▶ If the stroke is less than the runner block length, please consult your local sales partner!
- ▶ For double bearing runner blocks, always lubricate both lube nipples (4)!

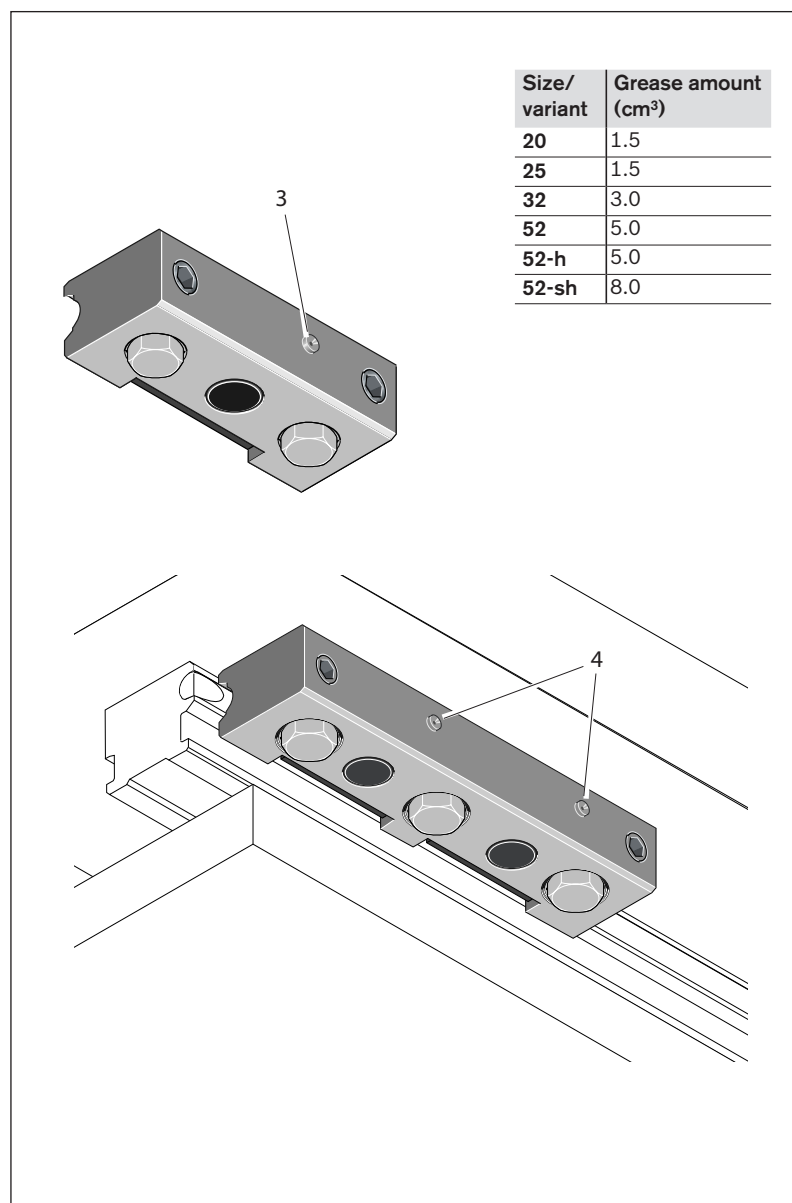



Fig. 93: Maintenance of single/double bearing runner blocks

8.9 Mounting the accessories

8.9.1 Mounting the dead stop

 The dead stop can be attached to standard guide rails, guide rails with T-slot, and low-profile guide rails.

1. Slide dead stop onto the guide rail and position.
2. Insert soft-metal pin (1).
3. Tighten set screw (2) to tightening torque 5.5 Nm.

If the dead stop holding force is to be increased, a positive locking effect on the guide rail can be achieved.

- ▶ Tighten set screws (2) without soft-metal pin (1) to tightening torque 5.5 Nm.

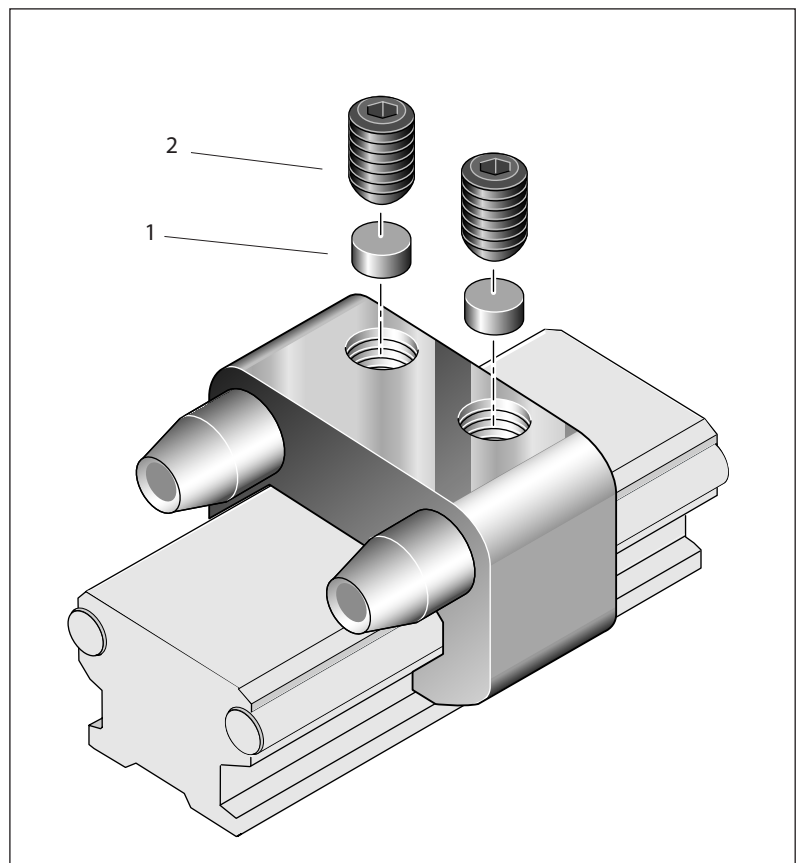


Fig. 94: Mounting dead stop

9 Lubrication See relevant catalog

10 Technical data See relevant catalog

11 Operating conditions See relevant catalog

12 Tightening torques If not specified otherwise here, please refer to the corresponding publications for tightening torques for fastening screws.

13 Disposal The rail system contains a number of different materials: Aluminum, steel, plastics, grease.

NOTICE

Environmentally hazardous materials can pollute the environment if not disposed of properly!

Environmental pollution.

- ▶ Collect any escaping lubricant and dispose of it correctly.
- ▶ The rail system must be disposed of correctly and in compliance with all applicable national and international guidelines and regulations.

14 Service and support Our Customer Service helpdesk staff will be happy to assist you in any way they can.
Telephone: +49 (0) 9352 40 50 60
E-mail: service.svc@boschrexroth.de

The Drive & Control Company

Rexroth
Bosch Group

Bosch Rexroth AG
Linear Motion and
Assembly Technologies
Ernst-Sachs-Straße 100
97424 Schweinfurt, Germany
Phone +49 9721 937-0
Fax +49 9721 937-275
www.boschrexroth.com

Subject to amendments

Printed in Germany
R320103885/2016-09